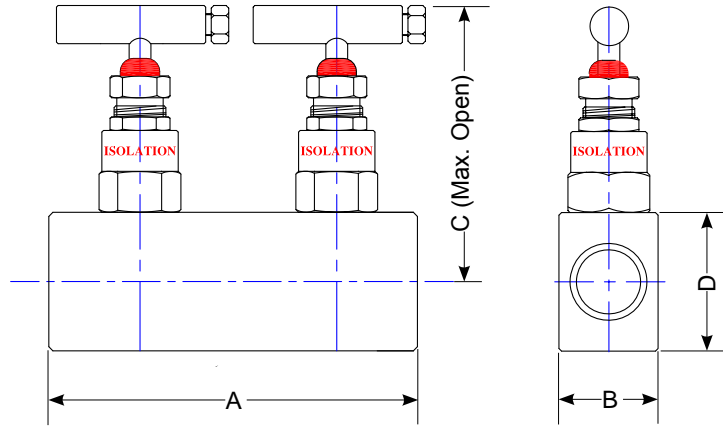


20260 Series



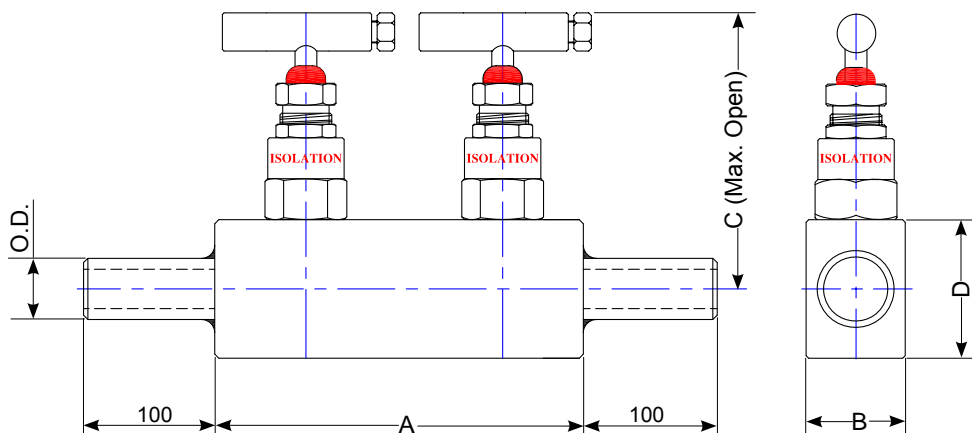
Basic Ordering Number	Connection Type and Size		Orifice (mm)	Cv	Dimensions(mm)			
	Inlet	Oultet			A	B	C	D
20262-81214-	14mm TSW	14mm TSW	11.00	2.20	180.00	49.00	110.00	49.00
20262-81216-	16mm TSW	16mm TSW						
20262-81218-	18mm TSW	18mm TSW						
20262-81220-	20mm TSW	20mm TSW						
20262-81222-	22mm TSW	22mm TSW						
20262-81225-	25mm TSW	25mm TSW						
20262-81108-	1/2" PSW	1/2" PSW	11.00	2.20	180.00	49.00	110.00	49.00
20262-81112-	3/4" PSW	3/4" PSW						
20262-81116-	1" PSW	1" PSW						
20262-21108-	1/2" NPT(F)	1/2" NPT(F)	11.00	2.20	180.00	49.00	110.00	49.00
20262-21112-	3/4" NPT(F)	3/4" NPT(F)						
20262-21116-	1" NPT(F)	1" NPT(F)						

Ordering Information

- Standard body material is 316 SS, and stem packing is PTFE for temperature services 250 °C, Class 2500. Add material designator designator as the suffix to the basic ordering number to get the complete ordering number. Example: 20262-81216-B100
- To order Graphite stem packing for temperature services 648 °C, add a designator as a suffix to the ordering number. Example: 220262-81216-B100-P30
- Contact the authorized representative or DECON if any request.

Material	Designator	Packing	Designator
316 SS	-B100	PTFE	-P10
304 SS	-B110	PEEK	-P20
321 SS	-B120	Graphite	-P30
Monel	-B270		

## 20270 Series



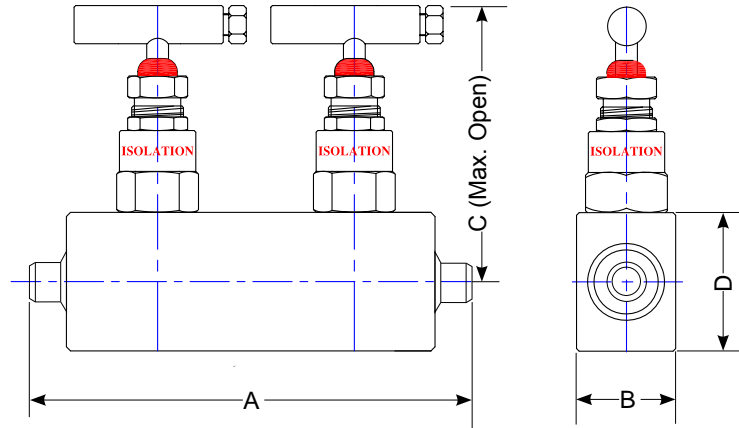
Basic Ordering Number	Connection Type and Size		Orifice (mm)	Cv	Dimensions(mm)			
	Inlet	Outlet			A	B	C	D
	Preweld Tube (Tube Socket Weld)	Preweld Tube (Tube Socket Weld)						
20272-80214-	14mm TBW	14mm TBW	11.00	2.20	180.00	49.00	110.00	49.00
20272-80216-	16mm TBW	16mm TBW						
20272-80218-	18mm TBW	18mm TBW						
20272-80220-	20mm TBW	20mm TBW						
20272-80225-	25mm TBW	25mm TBW						
	Preweld Pipe (Pipe Butt Weld)	Preweld Pipe (Pipe Butt Weld)						
20272-90108-	1/2" PBW	1/2" PBW	11.00	2.20	180.00	49.00	110.00	49.00
20272-90112-	3/4" PBW	3/4" PBW						
20272-90116-	1" PBW	1" PBW						

## Ordering Information

- Standard body material is 316 SS, and stem packing is PTFE for temperature services 250 °C, Class 2500.  
Add material designator designator as the suffix to the basic ordering number to get the complete ordering number.  
Example: 20272-90112-B100
- To order Graphite stem packing for temperature services 648 °C, add a designator as a suffix to the ordering number.  
Example: 20272-90112-B100-P30
- Contact the authorized representative or DECON if any request.

Material	Designator	Packing	Designator
316 SS	-B100	PTFE	-P10
304 SS	-B110	PEEK	-P20
321 SS	-B120	Graphite	-P30
Monel	-B270		

20280 Series



Basic Ordering Number	Connection Type and Size		Orifice (mm)	Cv	Dimensions(mm)			
	Inlet	Outlet			A	B	C	D
20282-80214-	14mm TBW	14mm TBW	11.00	2.20	210.00	49.00	110.00	49.00
20282-80216-	16mm TBW	16mm TBW						
20282-80218-	18mm TBW	18mm TBW						
20282-80220-	20mm TBW	20mm TBW						
20282-80225-	25mm TBW	25mm TBW						
20282-90108-	1/2" PBW	1/2" PBW	11.00	2.20	210.00	49.00	110.00	49.00
20282-90112-	3/4" PBW	3/4" PBW						
20282-90116-	1" PBW	1" PBW						

Ordering Information

- Standard body material is 316 SS, and stem packing is PTFE for temperature services 250 °C, Class 2500. Add material designator as the suffix to the basic ordering number to get the complete ordering number. Example: 20282-80216-B100
- To order Graphite stem packing for temperature services 648 °C, add a designator as a suffix to the ordering number. Example: 20282-80216-B100-P30
- Contact the authorized representative or DECON if any request.

Material	Designator	Packing	Designator
316 SS	-B100	PTFE	-P10
304 SS	-B110	PEEK	-P20
321 SS	-B120	Graphite	-P30
Monel	-B270		