

Manifolds

DECON range of Instrumentation Valve Manifolds cover 2, 3 & 5 Valve Manifolds

- DECON manifolds have excellent flow regulation and leak tightness. The operation is smooth, easy, low-torque & long life.
- Internal surfaces & threads are 100% free from burrs & other foreign particles.
- Many of the options available with needle valves are available in manifold form.
- Complete Bonnet assembly will be similar to needle valves.
- Manifold valves have stainless steel color coded identity tags affixed to the individual head units, Red for Isolate, Green for Equalize and Yellow for Vent.
- Manifolds have plugs as standard on gauge valves only, for all others this is optional. End connections are ½" NPT(F) & pressure rating is 6000 PSI as standard.
- All direct mount manifolds are supplied with Teflon gaskets and high tensile carbon steel bolts. Grafoil gaskets and stainless steel bolts are available as optional.
- All valves can be made available to conform to NACE MR-01-75 (latest revision) for sour service. Multiple mounting hole options are available on request. Universal mounting bracket fits most manifolds, plus other options are available.

DECON VALVE MANIFOLDS are manufactured in:

Design	Suitable for mounting on Rosemount, Yokogawa, Honeywell, ABB & other reputed Transmitters
Spindle Tip	Non-Rotating Tip: "Vee" Type & Ball Type (Tungsten Carbide); Rotating Tip : "Vee" type only
Seat	Metal to Metal, Stellite, Teflon
Packing & "O" Rings	Standard-PTFE. Optional GRAPHOIL, PEEK
Patterns	"R" Type, "T" Type, "H" Type in standard & Co-Planar design
Pressure Rating	PTFE : 6,000 PSI; GRAPHITE: 4,500 PSI
End Connections	NPT/Flanged/BSPT/BSPP as standard. Butt Weld, Socket Weld, DECON Fittings as per your requirements
Handle & Bolts	SS 304
M.O.C.	Body-ASTM A182 F 316(L), 304(L) etc. All other spares in ASTM A 479/A276 Gr. 316(L), 304(L)
Other M. O. C's	Titanium, Monel, Hastelloy C. etc.; Products can be supplied to conform to NACE MR 0175
Temperature	PTFE: Max. up to 250 °C; GRAPHITE: Max. up to 648 °C
Orifice Dia	4.8 mm as standard. Others as per request
Lubrication / Sealant	Anti-Seize: NEVER-SEEZ; Thread Sealant: LOCTITE 542
Testing	Standard : Hydro Test, Pneumatic Test, Nitrogen Test; Optional : Vibration, Temperature Cycling, Helium etc

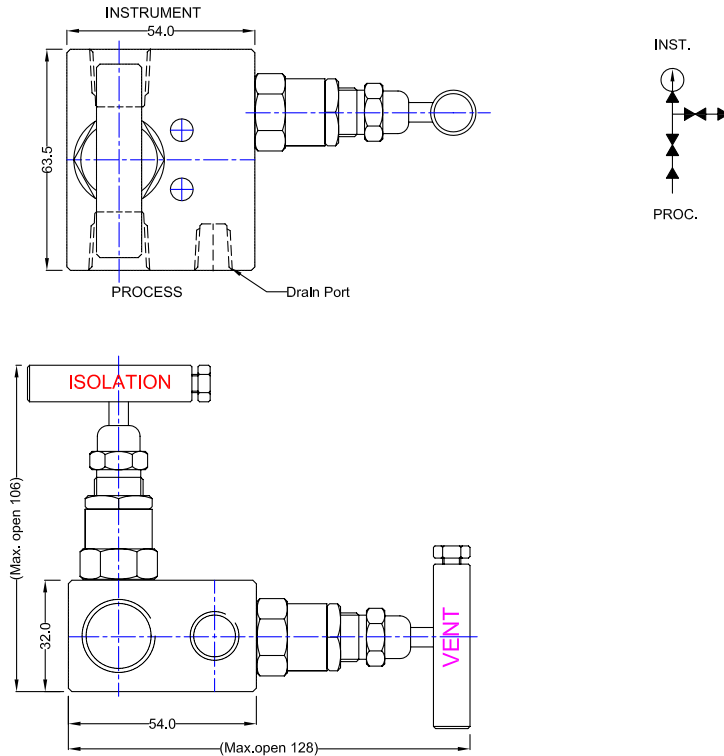
2 Valve Manifolds

The basic valve consists of two valves in a integral unit for isolation and Drain/calibration of pressure gauges, pressure switches, pressure transmitters, differential pressure transmitters etc.

Block & Bleed type "R" type: 20290 Series

Designed for remote line mounting to the instrument in any selected position between the process line and the instrument.
Connections: 1/2" NPT(F) Process × 1/2" NPT(F) Instrument, 1/4" NPT(F) Drain.

Basic Ordering Number: 20390-21108-



Ordering Information

- Standard body material is 316 SS, and stem packing is PTFE for temperature services 250 °C, Class 2500.
Add material designator designator as the suffix to the basic ordering number to get the complete ordering number.
Example: 20390-21108-B100
- To order Graphite stem packing for temperature services 648 °C, add a designator as a suffix to the ordering number.
Example: 20390-21108-B100-P30
- Contact the authorized representative or DECON if any request.

Material	Designator	Packing	Designator
316 SS	-B100	PTFE	-P10
304 SS	-B110	PEEK	-P20
321 SS	-B120	Graphite	-P30
Monel	-B270		

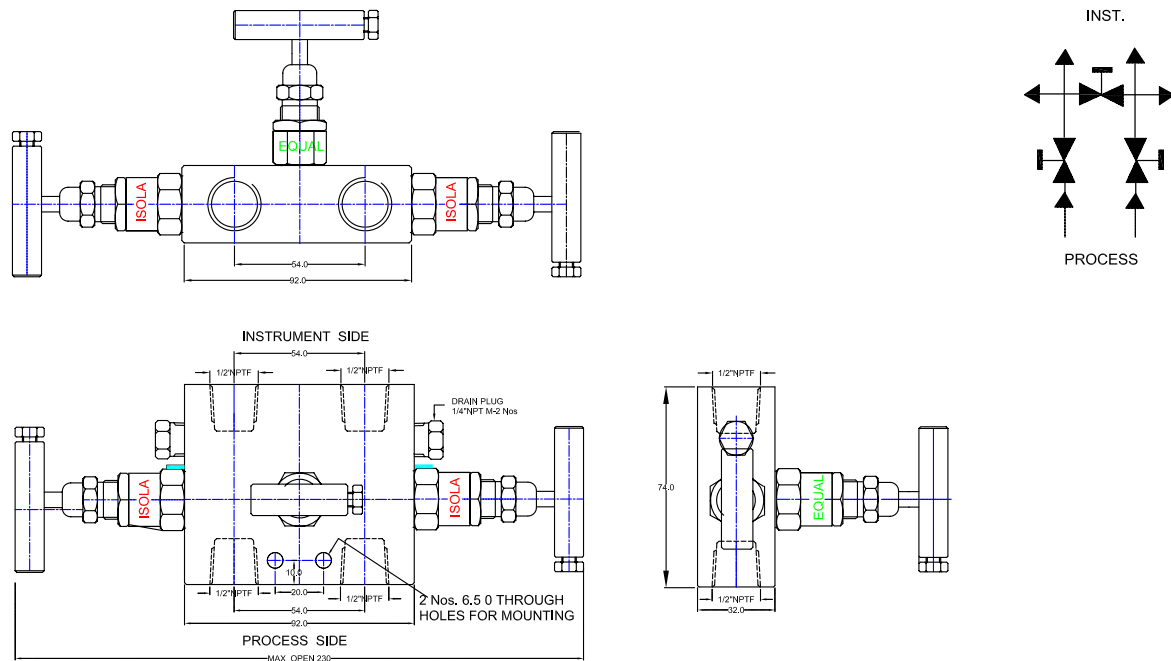
3 Valve Manifolds

Designed for use in conjunction with differential pressure transmitters. The basic three Valve manifold consists of two process isolation valves and one equalizing valve in a single compact unit. DECON offers the following mounting arrangements:

Remote Mounted (R) type: 20300 Series

Designed for remote line mounting to the instrument in any selected position between the process line and the instrument. A Pair of 1/2" NPT (F), Connection with 1/2" NPT (M), Plug is provided with these units. (optional) .

Basic Ordering Number: 20300-21108-



Ordering Information

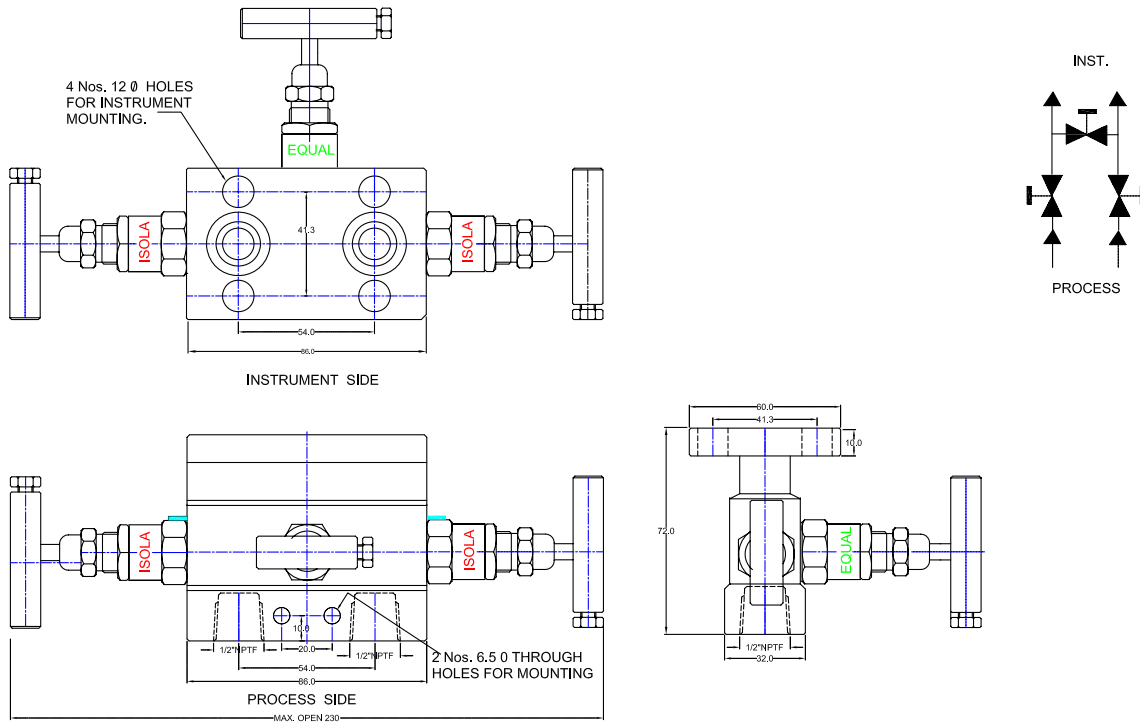
- Standard body material is 316 SS, and stem packing is PTFE for temperature services 250 °C, Class 2500. Add material designator as the suffix to the basic ordering number to get the complete ordering number. Example: 20300-21108-B100
- To order Graphite stem packing for temperature services 648 °C, add a designator as a suffix to the ordering number. Example: 20300-21108-B100-P30
- Contact the authorized representative or DECON if any request.

Material	Designator	Packing	Designator
316 SS	-B100	PTFE	-P10
304 SS	-B110	PEEK	-P20
321 SS	-B120	Graphite	-P30
Monel	-B270		

Single Flanged Integral (T) type: 20310 Series

Designed for use with differential pressure transmitters that utilize 2-1/8" (54 mm) center to center connection. On the process side two 1/2" NPT(F) connections are provided. A Pair of 1/4" NPT (F), Connection with 1/4" NPT (M), Plug is provided with these units. (optional) Also, 4 Nos high tensile mounting bolts and 2 Nos PTFE gaskets for ready installation are provided as standard.

Basic Ordering Number: 20310-21108-FL-



Ordering Information

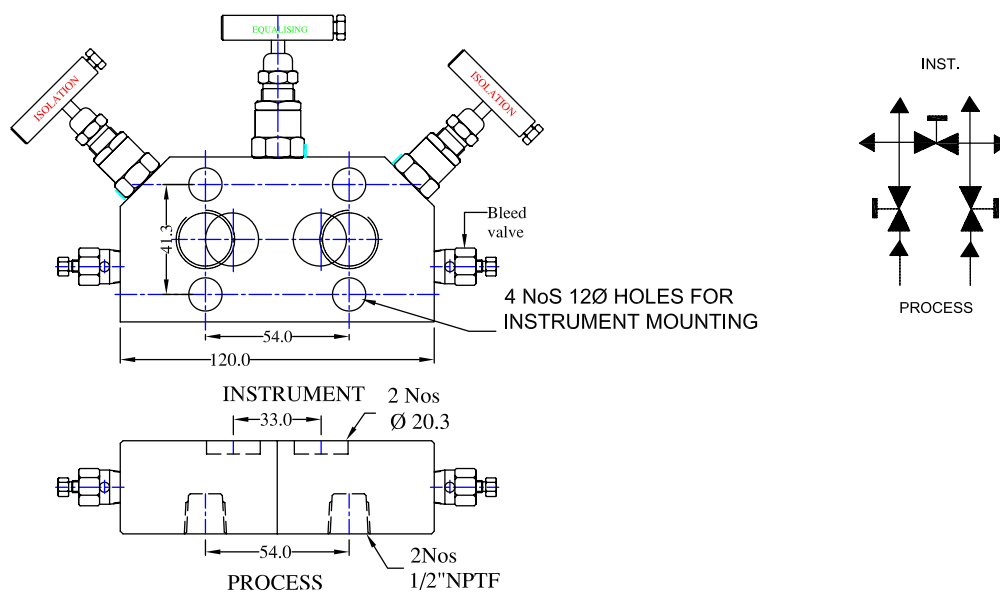
- Standard body material is 316 SS, and stem packing is PTFE for temperature services 250 °C, Class 2500. Add material designator designator as the suffix to the basic ordering number to get the complete ordering number. Example: 20310-21108-FL-B100
- To order Graphite stem packing for temperature services 648 °C, add a designator as a suffix to the ordering number. Example: 20310-21108-FL-B100-P30
- Contact the authorized representative or DECON if any request.

Material	Designator	Packing	Designator
316 SS	-B100	PTFE	-P10
304 SS	-B110	PEEK	-P20
321 SS	-B120	Graphite	-P30
Monel	-B270		

Remote Mounted (R) type-Co-Planar: 20320 Series

Co-Planar Design for remote line mounting to the instrument in any selected position between the process line and the instrument.

Basic Ordering Number: 20320-21108-FL-



Ordering Information

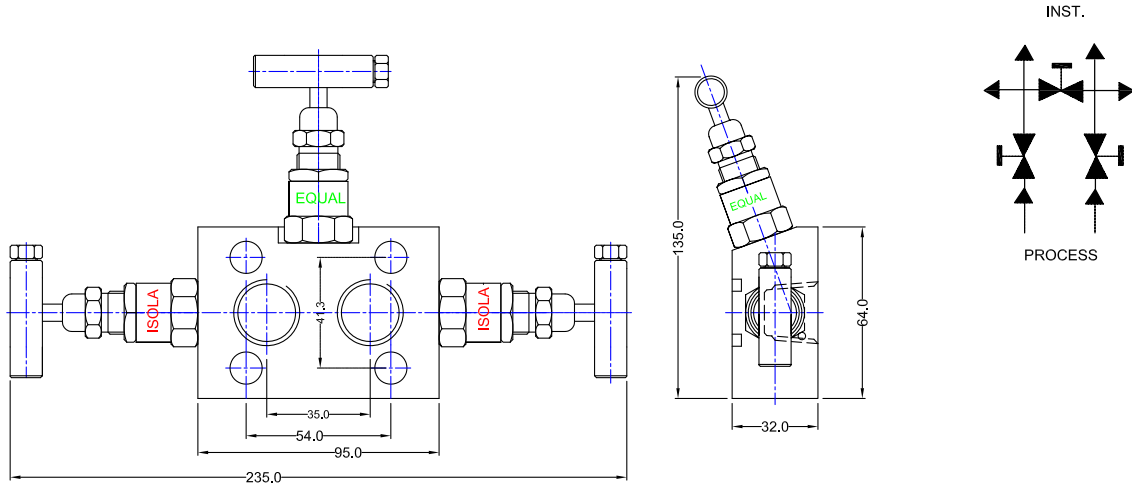
- Standard body material is 316 SS, and stem packing is PTFE for temperature services 250 °C, Class 2500. Add material designator designator as the suffix to the basic ordering number to get the complete ordering number. Example: 20320-21108-FL-B100
- To order Graphite stem packing for temperature services 648 °C, add a designator as a suffix to the ordering number. Example: 20320-21108-FL-B100-P30
- Contact the authorized representative or DECON if any request.

Material	Designator	Packing	Designator
316 SS	-B100	PTFE	-P10
304 SS	-B110	PEEK	-P20
321 SS	-B120	Graphite	-P30
Monel	-B270		

Remote Mounted (R) type-Co-Planar: 20330 Series

Co-Planar Design for remote line mounting to the instrument in any selected position between the process line and the instrument.

Basic Ordering Number: 20330-21108-FL-



Ordering Information

- Standard body material is 316 SS, and stem packing is PTFE for temperature services 250 °C, Class 2500. Add material designator designator as the suffix to the basic ordering number to get the complete ordering number. Example: 20330-21108-FL-B100
- To order Graphite stem packing for temperature services 648 °C, add a designator as a suffix to the ordering number. Example: 20330-21108-FL-B100-P30
- Contact the authorized representative or DECON if any request.

Material	Designator	Packing	Designator
316 SS	-B100	PTFE	-P10
304 SS	-B110	PEEK	-P20
321 SS	-B120	Graphite	-P30
Monel	-B270		

5 Valve Manifolds

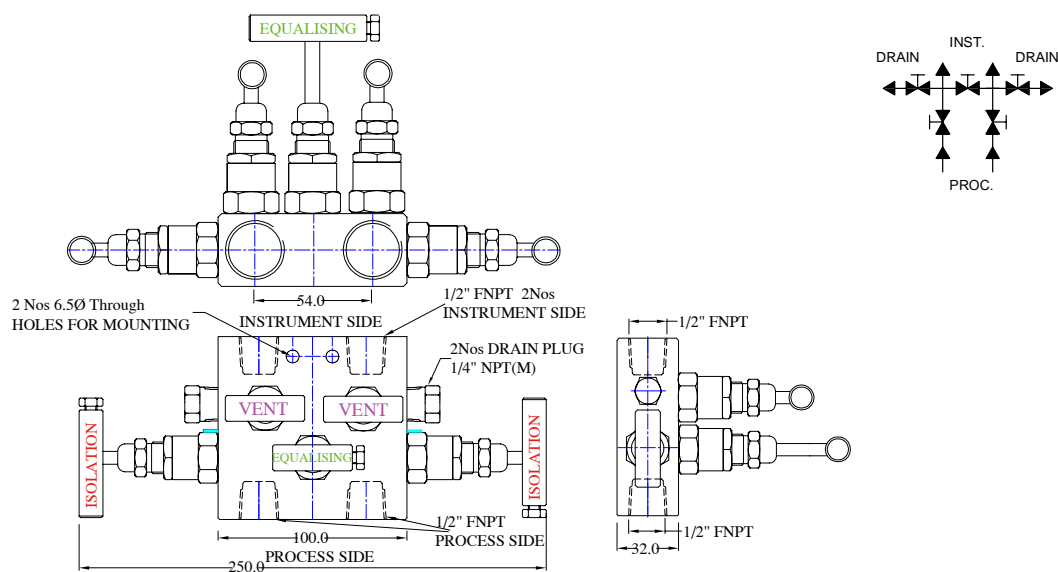
DECON offers the following mounting arrangements:

Designed to allow access to all valves in a single compact body with optimum ease of operation. The basic 5 valve manifold consists of two pressure isolation valves, two integral drain/vent valves for purging and one equalizing valve. 5 valve manifold is designed for pipe to pipe, process side 1/2" FNPT and instrument side 1/2" FNPT. Centre to centre distance is 54mm.

Separately mounted (R) type: 205000 Series

Designed for remote line mounting to the instrument in any selected position between the process line and the instrument. A Pair of 1/4" NPT (F), Connection with 1/4" NPT (M), Plug is provided with these units.

Basic Ordering Number: 20500-21108-



Ordering Information

- Standard body material is 316 SS, and stem packing is PTFE for temperature services 250 °C, Class 2500. Add material designator as the suffix to the basic ordering number to get the complete ordering number. Example: 20500-21108-B100
- To order Graphite stem packing for temperature services 648 °C, add a designator as a suffix to the ordering number. Example: 20500-21108-B100-P30
- Contact the authorized representative or DECON if any request.

Material	Designator	Packing	Designator
316 SS	-B100	PTFE	-P10
304 SS	-B110	PEEK	-P20
321 SS	-B120	Graphite	-P30
Monel	-B270		