

Valves

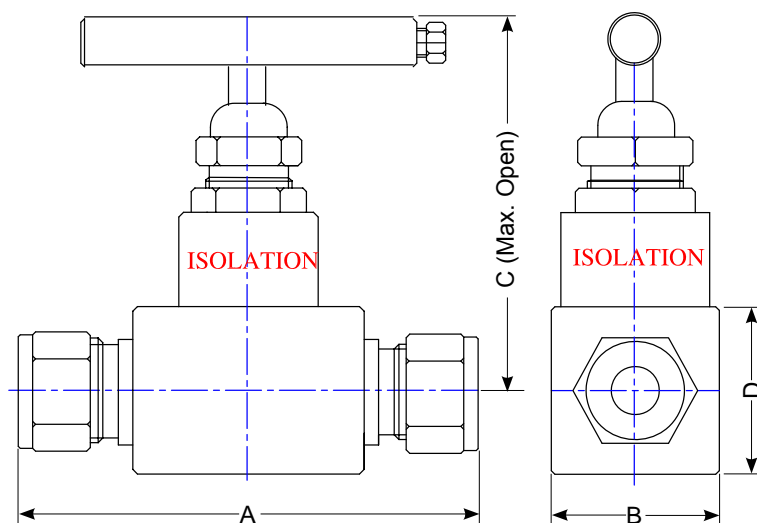
DECON range of Needle Valves

- DECON Needle Valves have excellent flow regulation and leak tightness. The operation is smooth, easy, low-torque & long life.
- Internal surfaces & threads are 100% free from burrs & other foreign particles.
- DECON offers Valves with Non-Rotating Tip Stem (NRT) thereby providing tight, repeatable shutoff without the galling or cross-scoring that occurs on V & ball-type stems.
- The NRT conical stem tip stops rotating when it contacts the seat so that any further torque turns the stem and not the tip. Furthermore, the conical stem tip seats in the same place every time - the more often the valve is seated, the better the mating with the seat is achieved. By contrast, the 'V' & ball-type tip does not seat in the same place every time, as the tip has no consistent axis of rotation. Consequently, every time the valve seats, a new seat mark is scored on the tip, creating multiple potential leak paths.

DECON Needle Valves are manufactured in:

Design	Screwed Bonnet / Integral (Union) Bonnet
Spindle Tip	Non-Rotating Tip: "Vee" Type & Ball Type (Tungsten Carbide); Rotating Tip : "Vee" type only
Seat	Metal to Metal, Stellite, Teflon
Packing	Standard-PTFE. Optional GRAPHOIL, PEEK
Patterns	Straight / Angle
Pressure Rating	PTFE: 6,000 PSI & High Pressure up to 15,000 PSI; GRAPHITE: 4,500 PSI
End Connections	NPT/Flanged/BSPT/BSPP as standard. Butt Weld, Socket Weld, DECON Fittings as per your requirements
Handle & Bolts	Standard: CS Powder coated / SS Bar Type
M.O.C.	Body-ASTM A182 F 316(L), 304(L) etc. All other spares in ASTM A 479/A276 Gr. 316(L), 304(L)
Other M. O. C's	Titanium, Monel, Hastelloy C. etc.; Products can be supplied to conform to NACE MR 0175
Temperature	PTFE: Max. up to 250 °C; GRAPHITE: Max. up to 648 °C
Orifice Dia	4mm to 20mm
Size	1/8" -1"; 6mm-38mm
Lubrication / Sealant	Anti-Seize: NEVER-SEEZ; Thread Sealant: LOCTITE 542
Testing	Standard : Hydro Test, Pneumatic Test, Nitrogen Test; Optional : Vibration, Temperature Cycling, Helium etc

20200 Series



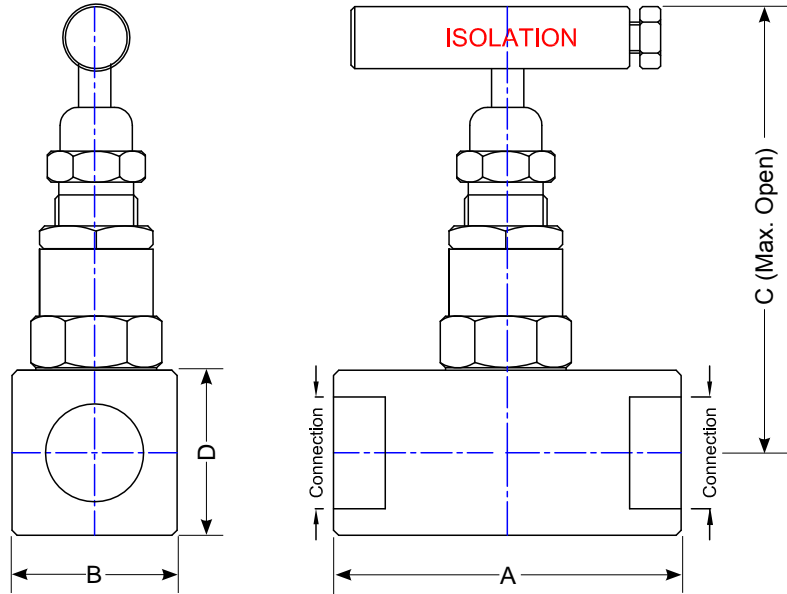
Basic Ordering Number	Connection Type and Size		Orifice (mm)	Cv	Dimensions(mm)			
	Inlet	Outlet			A	B	C	D
20201-10212-	12mm DECON	12mm DECON	6.25	0.85	86.00	28.5	90.00	28.50
20202-10214-	14mm DECON	14mm DECON	11.00	2.20	110.00	49.00	110.00	49.00
20202-10216-	16mm DECON	16mm DECON						
20202-10218-	18mm DECON	18mm DECON						
20202-10220-	20mm DECON	20mm DECON						
20202-10222-	22mm DECON	22mm DECON						
20201-10106-	3/8" DECON	3/8" DECON	6.25	0.85	86.00	28.5	110.00	28.50
20202-10108-	1/2" DECON	1/2" DECON	11.00	2.20	110.00	49.00	110.00	49.00
20202-10112-	3/4" DECON	3/4" DECON			110.00			
20202-10216-	1" DECON	1" DECON			115.00			

Ordering Information

- Standard body material is 316 SS, and stem packing is PTFE for temperature services 250 °C, Class 2500.
Add material designator designator as the suffix to the basic ordering number to get the complete ordering number.
Example: 20202-10216-B100
- To order Graphite stem packing for temperature services 648 °C, add a designator as a suffix to the ordering number.
Example: 20202-10216-B100-P30
- Contact the authorized representative or DECON if any request.

Material	Designator	Packing	Designator
316 SS	-B100	PTFE	-P10
304 SS	-B110	PEEK	-P20
321 SS	-B120	Graphite	-P30
Monel	-B270		

20210 Series



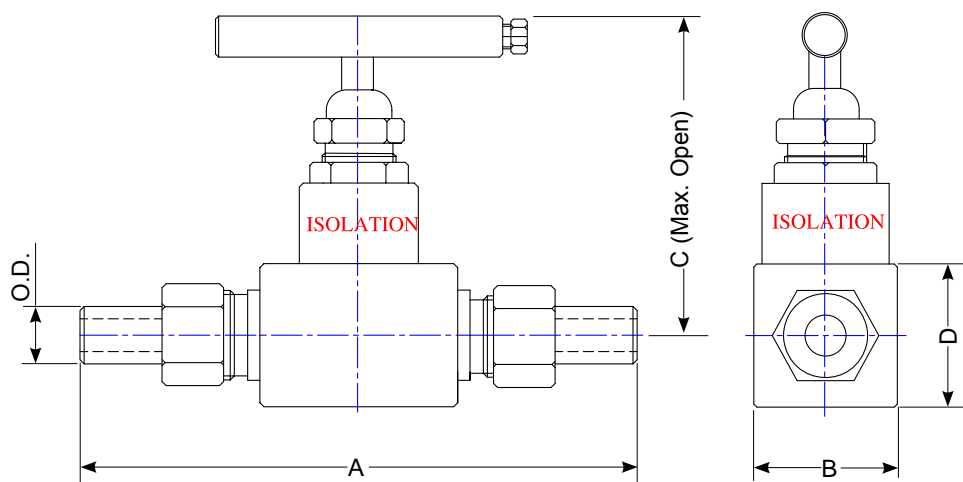
Basic Ordering Number	Connection Type and Size		Orifice (mm)	Cv	Dimensions(mm)			
	Inlet	Outlet			A	B	C	D
20211-81210-	10mm TSW	10mm TSW	6.25	0.85	76.00	32.00	90.00	32.00
20211-81212-	12mm TSW	12mm TSW						
20211-81214-	14mm TSW	14mm TSW						
20211-81216-	16mm TSW	16mm TSW						
20212-81212-	12mm TSW	12mm TSW	11.00	2.20	89.00	49.00	110.00	49.00
20212-81214-	14mm TSW	14mm TSW						
20212-81216-	16mm TSW	16mm TSW						
20212-81218-	18mm TSW	18mm TSW						
20211-81106-	3/8" TSW	3/8" TSW	6.25	0.85	76.00	32.00	90.00	32.00
20212-81108-	1/2" TSW	1/2" TSW	11.00	2.20	89.00	49.00	110.00	49.00
20212-81112-	3/4" TSW	3/4" TSW						
20211-91106-	3/8" PSW	3/8" PSW	6.25	0.85	76.00	32.00	90.00	32.00
20212-91108-	1/2" PSW	1/2" PSW	11.00	2.20	89.00	49.00	110.00	49.00
20212-91112-	3/4" PSW	3/4" PSW						
20211-21106-	3/8" NPT(F)	3/8" NPT(F)	6.25	0.85	76.00	32.00	90.00	32.00
20212-21108-	1/2" NPT(F)	1/2" NPT(F)	11.00	2.20	89.00	49.00	110.00	49.00
20212-21112-	3/4" NPT(F)	3/4" NPT(F)						

Ordering Information

- Standard body material is 316 SS, and stem packing is PTFE for temperature services 250 °C, Class 2500. Add material designator designator as the suffix to the basic ordering number to get the complete ordering number. Example: 20211-81216-B100
- To order Graphite stem packing for temperature services 648 °C, add a designator as a suffix to the ordering number. Example: 20211-81216-B100-P30
- Contact the authorized representative or DECON if any request.

Material	Designator	Packing	Designator
316 SS	-B100	PTFE	-P10
304 SS	-B110	PEEK	-P20
321 SS	-B120	Graphite	-P30
Monel	-B270		

20220 Series



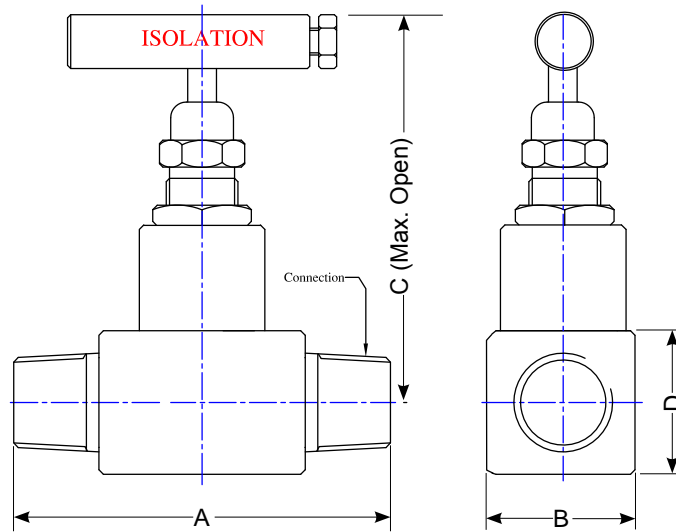
Basic Ordering Number	Connection Type and Size		Orifice (mm)	Cv	Dimensions(mm)			
	Inlet	Outlet			A	B	C	D
20221-80212-	12mm TBW	12mm TBW	6.25	0.85	147.00	32.00	90.00	32.00
20221-80214-	14mm TBW	14mm TBW						
20221-80216-	16mm TBW	16mm TBW						
20221-80108-	1/2 " TBW	1/2 " TBW						
20222-80212-	12mm TBW	12mm TBW	11.00	2.20	160.00	49.00	110.00	49.00
20222-80214-	14mm TBW	14mm TBW						
20222-80216-	16mm TBW	16mm TBW						
20222-80218-	18mm TBW	18mm TBW						
20222-80220-	20mm TBW	20mm TBW						
20222-80222-	22mm TBW	22mm TBW						
20222-80225-	25mm TBW	25mm TBW						
20222-80108-	1/2" TBW	1/2" TBW						
20222-80112-	3/4" TBW	3/4" TBW						

Ordering Information

- Standard body material is 316 SS, and stem packing is PTFE for temperature services 250 °C, Class 2500.
Add material designator designator as the suffix to the basic ordering number to get the complete ordering number.
Example: 20222-80216-B100
- To order Graphite stem packing for temperature services 648 °C, add a designator as a suffix to the ordering number.
Example: 20222-80216-B100-P30
- Contact the authorized representative or DECON if any request.

Material	Designator	Packing	Designator
316 SS	-B100	PTFE	-P10
304 SS	-B110	PEEK	-P20
321 SS	-B120	Graphite	-P30
Monel	-B270		

20230 Series



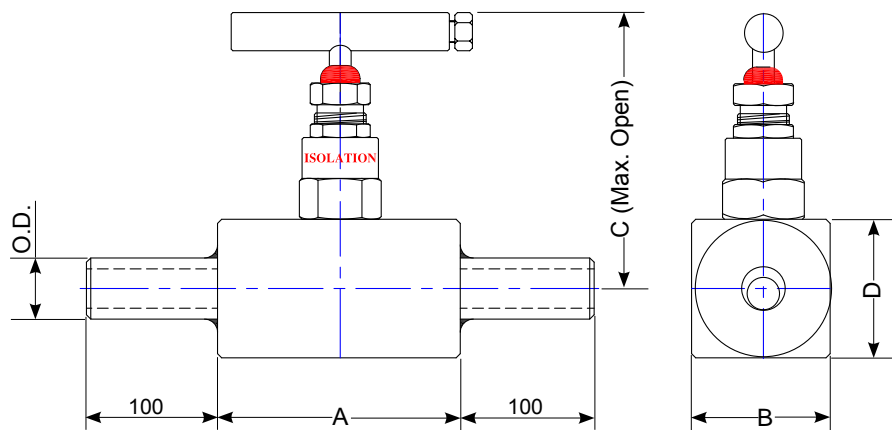
Basic Ordering Number	Connection Type and Size		Orifice (mm)	Cv	Dimensions(mm)			
	Inlet	Outlet			A	B	C	D
20231-20106-	3/8" NPT(M)	3/8" NPT(M)	6.25	0.85	76.00	32.00	90.00	32.00
20232-20108-	1/2" NPT(M)	1/2" NPT(M)	11.00	2.20	89.00	49.00	110.00	49.00
20232-20112-	3/4" NPT(M)	3/4" NPT(M)						
20232-20116-	1" NPT(M)	1" NPT(M)						
20231-20106-21106-	3/8" NPT(M)	3/8" NPT(F)	6.25	0.85	76.00	32.00	90.00	32.00
20232-20108-21108-	1/2" NPT(M)	1/2" NPT(F)	11.00	2.20	89.00	49.00	110.00	49.00
20232-20112-21112-	3/4" NPT(M)	3/4" NPT(F)						
20232-20116-21116-	1" NPT(M)	1" NPT(F)						

Ordering Information

- Standard body material is 316 SS, and stem packing is PTFE for temperature services 250 °C, Class 2500.
Add material designator designator as the suffix to the basic ordering number to get the complete ordering number.
Example: 20232-20108-B100
- To order Graphite stem packing for temperature services 648 °C, add a designator as a suffix to the ordering number.
Example: 20232-20108-B100-P30
- Contact the authorized representative or DECON if any request.

Material	Designator	Packing	Designator
316 SS	-B100	PTFE	-P10
304 SS	-B110	PEEK	-P20
321 SS	-B120	Graphite	-P30
Monel	-B270		

20250 Series



Basic Ordering Number	Connection Type and Size		Orifice (mm)	Cv	Dimensions(mm)			
	Inlet	Outlet			A	B	C	D
	Preweld Tube (Tube Socket Weld)	Preweld Tube (Tube Socket Weld)						
20251-80212-	12mm TBW	12mm TBW	6.25	0.85	76.00	32.00	90.00	32.00
20251-80214-	14mm TBW	14mm TBW						
20251-80216-	16mm TBW	16mm TBW						
	Preweld Tube (Tube Socket Weld)	Preweld Tube (Tube Socket Weld)						
20252-80212-	12mm TBW	12mm TBW	11.00	2.20	89.00	49.00	110.00	49.00
20252-80214-	14mm TBW	14mm TBW						
20252-80216-	16mm TBW	16mm TBW						
20252-80218-	18mm TBW	18mm TBW						
20252-80220-	20mm TBW	20mm TBW						
20252-80222-	22mm TBW	22mm TBW						
20252-80225-	25mm TBW	25mm TBW						
	Preweld Pipe (Pipe Butt Weld)	Preweld Pipe (Pipe Butt Weld)						
20252-90108-	1/2" PBW	1/2" PBW	11.00	2.20	89.00	49.00	110.00	49.00
20252-90112-	3/4" PBW	3/4" PBW						

Ordering Information

- Standard body material is 316 SS, and stem packing is PTFE for temperature services 250 °C, Class 2500. Add material designator as the suffix to the basic ordering number to get the complete ordering number. Example: 20252-80216-B100
- To order Graphite stem packing for temperature services 648 °C, add a designator as a suffix to the ordering number. Example: 20252-80216-B100-P30
- Contact the authorized representative or DECON if any request.

Material	Designator	Packing	Designator
316 SS	-B100	PTFE	-P10
304 SS	-B110	PEEK	-P20
321 SS	-B120	Graphite	-P30
Monel	-B270		