

Pipe Fittings

Features

- The hardened threads with smooth surface finishing avoid galling and help to extend the fitting service life.
- Radius junction design with elbows provides smooth flow path.
- Every fitting is stamped with size, material, and heat code.

Technical Data

- Sizes range from 1/16" to 2"
- Thread Specifications:

Thread Type	Specification
NPT	ASME B1.20.1, SAE AS71051
ISO Tapered	ISO 7-1, BS 21, JIS B0203
ISO parallel	ISO 228, JIS B0202
SAE/MS	ASME B1.1, SAE J475
Metric	ISO 261

- Working temperatures:
For the working temperatures of DECON pipe fittings, refer to the DECON Tube Fitting.
- Working Pressure:
 1. Catalog working pressures shown are based on ANSI/ASME B31.3 at ambient temperature, to determine working pressures in accordance with ANSI/ASME B31.1 multiply catalog working pressures shown by the factor from the below table.

Material	Factor
Stainless steel	0.94
Carbon steel	0.85
Brass	1.0

2. Use the allowable working pressure at ambient temperature to multiply the elevated temperature factors to get the working pressure at elevated temperature. To know the elevated temperature factor, please refer to the related information of DECON Tube Fittings.
3. To get the installation torque for NPT thread and ISO tapered thread, Refer to DECON Tube Fittings.

Material

Designator	Material	Bar Stock	Forging
B100	316 stainless steel	ASTM A276, ASME SA479, EN 1.4401	ASTM A182, ASME SA182, EN 1.4401
B110	304 stainless steel	ASTM A276, ASME SA479, EN 1.4301	ASTM A182, ASME SA182, EN 1.4301
B210	Alloy 400/R-405	ASTM B164, ASME SB164	ASTM B564, ASME SB564
B220	Alloy 600	ASTM B166, ASME SB166	ASTM B564, ASME SB564
B230	Alloy C-276	ASTM B574	ASTM B564,
B300	Brass	ASME B16/ASTM B453	ASTM B283
B400	Carbon steel	ASTM A108	A105

Ordering Information

- Add the material designator as a prefix to the basic ordering number to get the complete ordering number.
Example:
 1. Hex nipple with 1/4 male NPT thread for both ends and 316 stainless steel material, the complete ordering number is 12112-20104-20104-B100.
 2. Adapter with 1/2 female NPT to 1/4 male NPT thread for both ends and 316 stainless steel material material, the complete ordering number is 12121-21108-20104-B100.

Cautions

- Do not loose or tight fittings when system is pressurized.
- Always use proper thread sealants on tapered pipe threads.
- Confirm the sealing type when choosing the straight threads, make sure the construction of the matching threads comply with the sealing type.

Pipe Plugs 46



Hollow Hex Plugs 47



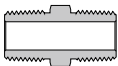
Close Nipples 48



Special Pipe Nipples 48



Hex Nipples 49 - 50



Hex Long Nipples 51



Reducing Bushings 52 - 53



Pipe Caps 54



Hex Couplings 55



Union Ball Joints 56



Adapters 56 - 58



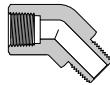
Male Elbows 58



Street Elbows 59 - 60



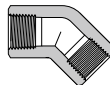
45° Street Elbows 61 - 62



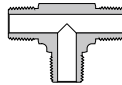
Female Elbows 63



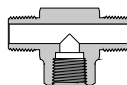
45° Female Elbows 64



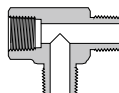
Male Tees 65



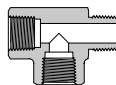
Female Branch Tees 66



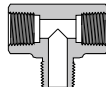
Female Run Tees 67



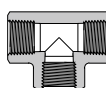
Male Street Tees 68



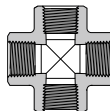
Male Branch Tees 69



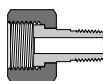
Female Tees 70



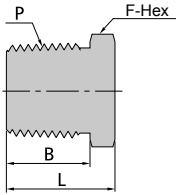
Female Crosses 71



Pipe to Pipe Unions 71



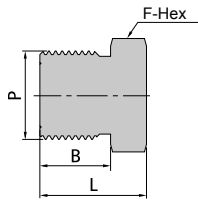
Pipe Plugs



Male NPT Threads					
P-NPT Size	Basic Ordering Number	Dimension,mm			
		L	F	B	
1/16	12500-20101-	14.20	7.90	9.70	
1/8	12500-20102-	14.20	11.10	9.70	
1/4	12500-20104-	19.10	14.30	14.20	
3/8	12500-20106-	20.60	17.50	14.20	
1/2	12500-20108-	26.40	22.20	19.10	
3/4	12500-20112-	30.70	27.00	19.10	
1	12500-20116-	38.10	34.90	23.90	
1 1/4	12500-20120-	38.40	44.50	23.90	
1 1/2	12500-20124-	43.70	50.80	26.20	
2	12500-20132-	50.80	69.90	26.20	

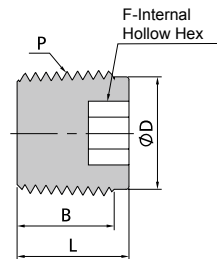
Male ISO Threads					
P-RT Size	Basic Ordering Number	Dimension,mm			
		L	F	B	
1/16	12500-30101-	14.20	7.90	9.70	
1/8	12500-30102-	14.20	11.10	9.70	
1/4	12500-30104-	19.10	14.30	14.20	
3/8	12500-30106-	20.60	17.50	14.20	
1/2	12500-30108-	26.40	22.20	19.10	
3/4	12500-30112-	30.70	27.00	19.10	
1	12500-30116-	38.10	34.90	23.90	
1 1/4	12500-30120-	38.40	44.50	23.90	
1 1/2	12500-30124-	43.70	50.80	26.20	
2	12500-30132-	50.80	69.90	26.20	

Pipe Plugs



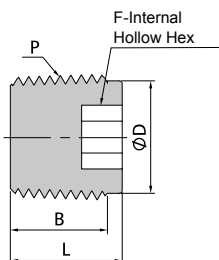
Male Metric Threads					
P-Metric Size	Basic Ordering Number	Dimension,mm			
		L	F	B	
M14 x 1.5	12500-50514-	18	16	13	
M16 x 1.5	12500-50516-	20	18	14	
M18 x 1.5	12500-50518-	22	19	15	
M20 x 1.5	12500-50520-	24	22	16	
M22 x 1.5	12500-50522-	26	24	17	
M24 x 1.5	12500-50524-	26	27	17	
M27 x 2	12500-50527-	27	30	18	
M30 x 2	12500-50530-	32	32	20	

Hollow Hex Plugs



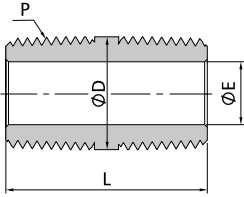
Male ISO Tapered Threads						
P-RT Size	Basic Ordering Number	Dimension,mm				
		L	F	B	D	
1/16	12501-30101-	7.60	4.00	7.40	7.40	
1/8	12501-30102-	10.40	4.80	7.40	9.40	
1/4	12501-30104-	15.50	6.40	12.40	12.10	
3/8	12501-30106-	15.50	7.90	12.40	15.70	
1/2	12501-30108-	19.30	9.50	16.20	19.30	
3/4	12501-30112-	19.80	14.30	16.70	25.70	
1	12501-30116-	20.80	15.90	17.70	31.80	

Hollow Hex Plugs



Male NPT Threads					
P-NPT Size	Basic Ordering Number	Dimension,mm			
		L	F	B	D
1/16	12501-20101-	7.60	4.00	7.40	7.40
1/8	12501-20102-	10.40	4.80	7.40	9.40
1/4	12501-20104-	15.50	6.40	12.40	12.10
3/8	12501-20106-	15.00	7.90	11.90	15.70
1/2	12501-20108-	19.30	9.50	16.20	19.30
3/4	12501-20112-	19.80	14.30	16.70	25.70
1	12501-20116-	20.80	15.90	17.70	31.80

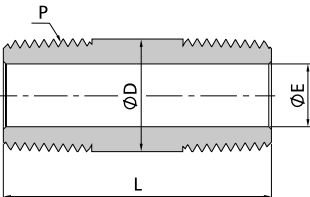
Close Nipples



Male NPT Threads							
P-NPT Size	Basic Ordering Number	Dimension,mm			Working Pressure psig(bar)		
		L	D	E	316 SS, Steel	Brass	
1/16	12110-20101-	19.10	7.90	3.00	11000 (757)	5500 (378)	
1/8	12110-20102-	19.10	10.30	4.80	10000 (689)	5000 (344)	
1/4	12110-20104-	28.40	13.70	7.10	8000 (551)	4000 (275)	
3/8	12110-20106-	28.40	17.10	9.70	7800 (537)	3900 (268)	
1/2	12110-20108-	38.10	21.30	11.90	7700 (530)	3800 (261)	
3/4	12110-20112-	38.10	26.70	15.70	7300 (502)	3600 (248)	
1	12110-20116-	47.80	33.40	22.40	5300 (365)	2600 (179)	

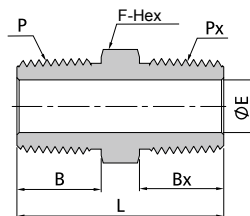
Male ISO Papered Threads							
P-RT Size	Basic Ordering Number	Dimension,mm			Working Pressure psig(bar)		
		L	D	E	316 SS, Steel	Brass	
1/16	12110-30101-	19.10	7.90	3.00	11000 (757)	5500 (378)	
1/8	12110-30102-	19.10	10.30	4.80	10000 (689)	5000 (344)	
1/4	12110-30104-	28.40	13.70	7.10	8000 (551)	4000 (275)	
3/8	12110-30106-	28.40	17.10	9.60	7800 (537)	3900 (268)	
1/2	12110-30108-	38.10	21.30	11.90	7700 (530)	3800 (261)	
3/4	12110-30112-	38.10	26.70	15.70	7300 (502)	3600 (248)	
1	12110-30116-	47.80	33.40	22.40	5300 (365)	2600 (179)	

Special Pipe Nipples



Male NPT Threads							
P-NPT Size	Basic Ordering Number	Dimension,mm			Working Pressure psig(bar)		
		L	D	E	316 SS, Steel	Brass	
1/8	12111-20102-38.10-	38.10	10.30	4.80	10000 (689)	5000 (344)	
1/8	12111-20102-50.80-	50.80	10.30	4.80	10000 (689)	5000 (344)	
1/8	12111-20102-63.50-	63.50	10.30	4.80	10000 (689)	5000 (344)	
1/8	12111-20102-76.20-	76.20	10.30	4.80	10000 (689)	5000 (344)	
1/4	12111-20104-38.10-	38.10	13.70	7.10	8000 (551)	4000 (275)	
1/4	12111-20104-50.80-	50.80	13.70	7.10	8000 (551)	4000 (275)	
1/4	12111-20104-63.50-	63.50	13.70	7.10	8000 (551)	4000 (275)	
1/4	12111-20104-76.20-	76.20	13.70	7.10	8000 (551)	4000 (275)	
1/4	12111-20104-101.60-	101.60	13.70	7.10	8000 (551)	4000 (275)	
3/8	12111-20106-38.10-	38.10	17.10	9.70	7800 (537)	3900 (268)	
3/8	12111-20106-50.80-	50.80	17.10	9.70	7800 (537)	3900 (268)	
3/8	12111-20106-63.50-	63.50	17.10	9.70	7800 (537)	3900 (268)	
3/8	12111-20106-76.20-	76.20	17.10	9.70	7800 (537)	3900 (268)	
3/8	12111-20106-101.60-	101.60	17.10	9.70	7800 (537)	3900 (268)	
1/2	12111-20108-50.80-	50.80	21.30	11.90	7700 (530)	3800 (261)	
1/2	12111-20108-76.20-	76.20	21.30	11.90	7700 (530)	3800 (261)	
1/2	12111-20108-101.60-	101.60	21.30	11.90	7700 (530)	3800 (261)	
1/2	12111-20108-152.40-	152.40	21.30	11.90	7700 (530)	3800 (261)	
3/4	12111-20112-50.80-	50.80	26.70	15.70	7300 (502)	3600 (248)	
3/4	12111-20112-76.20-	76.20	26.70	15.70	7300 (502)	3600 (248)	
3/4	12111-20112-101.60-	101.60	26.70	15.70	7300 (502)	3600 (248)	
1	12111-20116-76.20-	76.20	33.40	22.40	5300 (365)	2600 (179)	
1	12111-20116-101.60-	101.60	33.40	22.40	5300 (365)	2600 (179)	

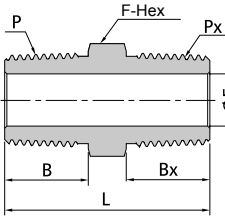
Hex Nipple



Male NPT Threads										
P-NPT Size	Px-NPT Size	Basic Ordering Number	Dimension,mm					Working Pressure psig(bar)		
			L	F	B	Bx	E	316 SS, Steel	Brass	
1/16	1/16	12112-20101-20101-	25.60	7.90	9.70	9.70	3.00	11000 (757)	5500 (378)	
1/8	1/16	12112-20102-20101-	25.60	11.10	9.70	9.70	3.00	11000 (757)	5500 (378)	
1/8	1/8	12112-20102-20102-	25.60	11.10	9.70	9.70	4.80	10000 (689)	5000 (344)	
1/4	1/16	12112-20104-20101-	31.00	14.30	14.20	9.70	3.00	11000 (757)	5500 (378)	
1/4	1/8	12112-20104-20102-	31.00	14.30	14.20	9.70	4.80	10000 (689)	5000 (344)	
1/4	1/4	12112-20104-20104-	35.60	14.30	14.20	14.20	7.10	8000 (551)	4000 (275)	
3/8	1/16	12112-20106-20101-	31.80	17.50	14.20	9.70	3.00	11000 (757)	5500 (378)	
3/8	1/8	12112-20106-20102-	31.80	17.50	14.20	9.70	4.80	10000 (689)	5000 (344)	
3/8	1/4	12112-20106-20104-	36.30	17.50	14.20	14.20	7.10	8000 (551)	4000 (275)	
3/8	3/8	12112-20106-20106-	36.30	17.50	14.20	14.20	9.70	7800 (537)	3900 (268)	
1/2	1/8	12112-20108-20102-	37.30	22.20	19.10	9.70	4.80	7700 (530)	3800 (261)	
1/2	1/4	12112-20108-20104-	41.90	22.20	19.10	14.20	7.10	8000 (551)	4000 (275)	
1/2	3/8	12112-20108-20106-	41.90	22.20	19.10	14.20	9.70	7800 (537)	3900 (268)	
1/2	1/2	12112-20108-20108-	46.70	22.20	19.10	19.10	11.90	7700 (530)	3800 (261)	
3/4	1/8	12112-20112-20102-	40.40	27.00	19.10	9.70	4.80	10000 (689)	5000 (344)	
3/4	1/4	12112-20112-20104-	41.90	27.00	19.10	14.20	7.10	8000 (551)	4000 (275)	
3/4	3/8	12112-20112-20106-	45.20	27.00	19.10	14.20	9.70	7800 (537)	3900 (268)	
3/4	1/2	12112-20112-20108-	46.70	27.00	19.10	19.10	11.90	7700 (530)	3800 (261)	
3/4	3/4	12112-20112-20112-	46.70	27.00	19.10	19.10	15.70	7300 (502)	3600 (248)	
1	1/8	12112-20116-20102-	45.20	34.90	23.90	9.70	4.80	10000 (689)	5000 (344)	
1	1/4	12112-20116-20104-	49.30	34.90	23.90	14.20	7.10	5300 (365)	2600 (179)	
1	3/8	12112-20116-20106-	50.00	34.90	23.90	14.20	9.70	7800 (537)	3900 (268)	
1	1/2	12112-20116-20108-	54.10	34.90	23.90	19.10	11.90	7700 (530)	3800 (261)	
1	3/4	12112-20116-20112-	54.10	34.90	23.90	19.10	15.70	7300 (502)	3600 (248)	
1	1	12112-20116-20116-	58.90	34.90	23.90	23.90	22.40	5300 (365)	2600 (179)	
1 1/4	1	12112-20120-20116-	62.20	44.50	23.90	23.90	22.40	5300 (365)	2600 (179)	
1 1/4	1 1/4	12112-20120-20120-	62.90	44.50	23.90	23.90	28.60	6000 (410)	3000 (200)	
1 1/2	1 1/2	12112-20124-20124-	66.30	50.80	26.20	26.20	34.00	5000 (344)	2500 (172)	
2	2	2112-20132-20132-	77.70	69.90	26.20	26.20	45.00	3900 (268)	1900 (130)	
Heavy-Wall Male NPT Threads										
1/4	1/4	2112-20104-20104-H-	35.60	14.30	14.20	14.20	5.80	-689	/	
1/2	1/4	2112-20108-20104-H-	41.90	22.20	19.10	14.20	5.80	-689	/	
1/2	1/2	2112-20108-20108-H-	46.70	22.20	19.10	19.10	9.90	-689	/	

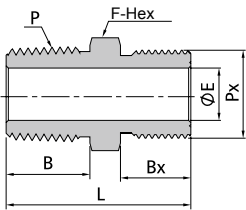
Male NPT Threads										
P-NPT Size	P-RT Size	Basic Ordering Number	Dimension,mm					Working Pressure psig(bar)		
			L	F	B	Bx	E	316 SS, Steel	Brass	
1/8	1/8	12112-30102-30102-	25.60	11.10	9.70	9.70	4.80	10000 (689)	5000 (344)	
1/4	1/4	12112-30104-30104-	35.60	14.30	14.20	14.20	7.10	8000 (551)	4000 (275)	
3/8	3/8	12112-30106-30106-	36.30	17.50	14.20	14.20	9.70	7800 (537)	3900 (268)	
1/2	1/2	12112-30108-30108-	46.70	22.20	19.10	19.10	11.90	7700 (530)	3800 (261)	
3/4	3/4	12112-30112-30112-	46.70	27.00	19.10	19.10	15.70	7300 (502)	3600 (248)	
1	1	12112-30116-30116-	58.90	34.90	23.90	23.90	22.40	5300 (365)	2600 (179)	

Hex Nipple



Male NPT Threads			Dimension,mm					Working Pressure psig(bar)	
P-NPT Size	Px-RT Size	Basic Ordering Number	L	F	B	Bx	E	316 SS, Steel	
								Brass	
1/8	1/8	12112-20102-30102-	25.6	11.1	9.7	9.7	4.80	10000 (689)	5000 (344)
1/4	1/4	12112-20104-30104-	35.6	14.3	14.2	14.2	7.10	8000 (551)	4000 (275)
3/8	3/8	12112-20106-30106-	36.3	17.5	14.2	14.2	9.70	7800 (537)	3900 (268)
1/2	1/2	12112-20108-30108-	46.7	22.2	19.1	19.1	11.9	7700 (530)	3800 (261)
3/4	3/4	12112-20112-30112-	46.7	27.0	19.1	19.1	15.7	7300 (502)	3600 (248)
1	1	12112-20116-30116-	58.9	34.9	23.9	23.9	22.4	5300 (365)	2600 (179)

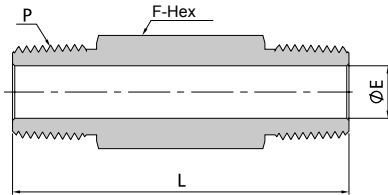
Hex Nipple



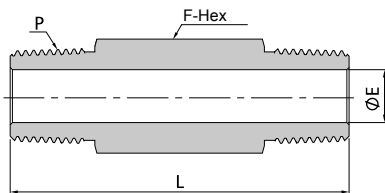
Male NPT Threads			Male Metric Threads						
P-NPT Size	Px-Metric Size	Basic Ordering Number	Dimension,mm					Working Pressure psig(bar)	
			L	F	B	Bx	E	316 SS, Steel	
1/8	M20 x 1.5	12112-20102-50520-	32.70	22.20	9.70	16	5.00	7700 (530)	
1/4	M8 x 1	12112-20104-50508-	29.00	14.30	14.20	9	3.20	8000 (551)	
1/4	M14 x 1.5	12112-20104-50514-	34.20	15.90	14.20	13	7.00	8000 (551)	
1/4	M16 x 1.5	12112-20104-50516-	35.20	17.50	14.20	14	7.10	7800 (537)	
1/4	M20 x 1.5	12112-20104-50520-	37.20	22.20	14.20	16	7.00	7700 (530)	
3/8	M14 x 1.5	12112-20106-50514-	34.20	17.50	14.20	13	7.00	7800 (537)	
3/8	M20 x 1.5	12112-20106-50520-	37.20	22.20	14.20	16	9.50	7700 (530)	
3/8	M24 x 1.5	12112-20106-50524-	38.20	27	14.20	17	9.50	7400 (509)	
1/2	M14 x 1.5	12112-20108-50514-	39.10	22.20	19.10	13	7.00	7700 (530)	
1/2	M20 x 1.5	12112-20108-50520-	42.00	22.20	19.10	16	10.00	7700 (530)	
1/2	M24 x 1.5	12112-20108-50524-	43.50	27	19.10	17	11.90	7400 (509)	
3/4	M20 x 1.5	12112-20112-50520-	42.10	27	19.10	16	10.00	7300 (502)	
3/4	M27 x 2	12112-20112-50527-	46.70	31.80	19.10	18	15.80	6100 (420)	
1	M30 x 2	12112-20116-50530-	55.00	34.90	23.90	20	11.90	6100 (420)	

Male ISO Tapered Threads			Male Metric Threads						
P-RT Size	Px-Metric Size	Basic Ordering Number	Dimension,mm					Working Pressure psig(bar)	
			L	F	B	Bx	E	316 SS, Steel	
1/8	M20 x 1.5	12112-30102-50520-	32.70	22.20	9.70	16	5.00	7700 (530)	
1/4	M12 x 1.5	12112-30104-50512-	33.40	14.30	14.20	15	5.00	8000 (551)	
1/4	M20 x 1.5	12112-30104-50520-	37.20	22.20	14.20	16	7.00	7700 (530)	
3/8	M20 x 1.5	12112-30106-50520-	37.20	22.20	14.20	16	9.50	7700 (530)	
1/2	M20 x 1.5	12112-30108-50520-	42.00	22.20	19.10	16	10.00	7700 (530)	

Hex Long Nipple

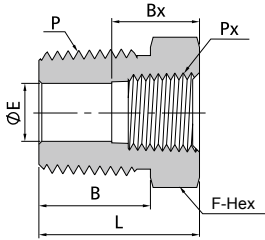


Male NPT Threads							
P-NPT Size	Basic Ordering Number	Dimension,mm			Working Pressure psig(bar)		
		L	F	E	316 SS, Steel	Brass	
1/8	12113-20102-38.10-	38.1	11.1	4.80	10000 (689)	5000 (344)	
1/8	12113-20102-50.80-	50.8	11.1	4.80	10000 (689)	5000 (344)	
1/8	12113-20102-63.50-	63.5	11.1	4.80	10000 (689)	5000 (344)	
1/8	12113-20102-76.20-	76.2	11.1	4.80	10000 (689)	5000 (344)	
1/4	12113-20104-38.10-	38.1	14.3	7.10	8000 (551)	4000 (275)	
1/4	12113-20104-50.80-	50.8	14.3	7.10	8000 (551)	4000 (275)	
1/4	12113-20104-63.50-	63.5	14.3	7.10	8000 (551)	4000 (275)	
1/4	12113-20104-76.20-	76.2	14.3	7.10	8000 (551)	4000 (275)	
1/4	12113-20104-101.60-	101.6	14.3	7.10	8000 (551)	4000 (275)	
3/8	12113-20106-38.10-	38.1	17.5	9.70	7800 (537)	3900 (268)	
3/8	12113-20106-50.80-	50.8	17.5	9.70	7800 (537)	3900 (268)	
3/8	12113-20106-63.50-	63.5	17.5	9.70	7800 (537)	3900 (268)	
3/8	12113-20106-76.20-	76.2	17.5	9.70	7800 (537)	3900 (268)	
3/8	12113-20106-101.60-	101.6	17.5	9.70	7800 (537)	3900 (268)	
1/2	12113-20108-50.80-	50.8	22.2	11.9	7700 (530)	3800 (261)	
1/2	12113-20108-76.20-	76.2	22.2	11.9	7700 (530)	3800 (261)	
1/2	12113-20108-101.60-	101.6	22.2	11.9	7700 (530)	3800 (261)	
1/2	12113-20108-152.40-	152.4	22.2	11.9	7700 (530)	3800 (261)	
3/4	12113-20112-50.80-	50.8	27.0	15.7	7300 (502)	3600 (248)	
3/4	12113-20112-76.20-	76.2	27.0	15.7	7300 (502)	3600 (248)	
3/4	12113-20112-101.60-	101.6	27.0	15.7	7300 (502)	3600 (248)	
1	12113-20116-76.20-	76.2	34.9	22.4	5300 (365)	2600 (179)	
1	12113-20116-101.60-	101.6	34.9	22.4	5300 (365)	2600 (179)	

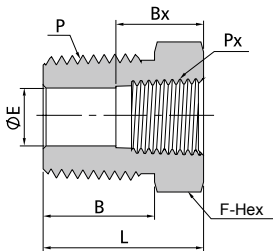


Male ISO Tapered Threads							
P-RT Size	Basic Ordering Number	Dimension,mm			Working Pressure psig(bar)		
		L	F	E	316 SS, Steel	Brass	
1/8	12113-30102-38.10-	38.10	11.10	4.80	10000 (689)	5000 (344)	
1/8	12113-30102-50.80-	50.80	11.10	4.80	10000 (689)	5000 (344)	
1/8	12113-30102-63.50-	63.50	11.10	4.80	10000 (689)	5000 (344)	
1/8	12113-30102-76.20-	76.20	11.10	4.80	10000 (689)	5000 (344)	
1/4	12113-30104-38.10-	38.10	14.30	7.10	8000 (551)	4000 (275)	
1/4	12113-30104-50.80-	50.80	14.30	7.10	8000 (551)	4000 (275)	
1/4	12113-30104-63.50-	63.50	14.30	7.10	8000 (551)	4000 (275)	
1/4	12113-30104-76.20-	76.20	14.30	7.10	8000 (551)	4000 (275)	
1/4	12113-30104-101.60-	101.60	14.30	7.10	8000 (551)	4000 (275)	
3/8	12113-30106-38.10-	38.10	17.50	9.70	7800 (537)	3900 (268)	
3/8	12113-30106-50.80-	50.80	17.50	9.70	7800 (537)	3900 (268)	
3/8	12113-30106-63.50-	63.50	17.50	9.70	7800 (537)	3900 (268)	
3/8	12113-30106-76.20-	76.20	17.50	9.70	7800 (537)	3900 (268)	
3/8	12113-30106-101.60-	101.60	17.50	9.70	7800 (537)	3900 (268)	
1/2	12113-30108-50.80-	50.80	22.20	11.90	7700 (530)	3800 (261)	
1/2	12113-30108-76.20-	76.20	22.20	11.90	7700 (530)	3800 (261)	
1/2	12113-30108-101.60-	101.60	22.20	11.90	7700 (530)	3800 (261)	
1/2	12113-30108-152.40-	152.40	22.20	11.90	7700 (530)	3800 (261)	
3/4	12113-30112-50.80-	50.80	27.00	15.70	7300 (502)	3600 (248)	
3/4	12113-30112-76.20-	76.20	27.00	15.70	7300 (502)	3600 (248)	
3/4	12113-30112-101.60-	101.60	27.00	15.70	7300 (502)	3600 (248)	
1	12113-30116-76.20-	76.20	34.90	22.40	5300 (365)	2600 (179)	
1	12113-30116-101.60-	101.60	34.90	22.40	5300 (365)	2600 (179)	

Reducing Bushings

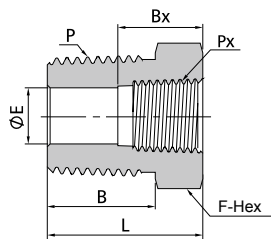


Male NPT Threads				Female NPT Threads					
P-NPT Size	Px-NPT Size	Basic Ordering Number	Dimension,mm					Working Pressure psig(bar)	
			L	F	B	Bx	E	316 SS, Steel	Brass
1/8	1/16	12130-20102-21101-	26.2	11.1	9.70	9.90	4.80	6500 (447)	3200 (220)
1/4	1/16	12130-20104-21101-	21.8	14.3	14.20	9.90	4.80	8000 (551)	4000 (275)
1/4	1/8	12130-20104-21102-	26.9	14.3	14.2	10.4	7.10	6500 (447)	3300 (227)
3/8	1/16	12130-20106-21101-	21.8	17.5	14.20	9.90	4.80	13300 (917)	6600 (454)
3/8	1/8	12130-20106-21102-	21.8	17.5	14.2	10.4	7.10	9200 (633)	4700 (323)
3/8	1/4	12130-20106-21104-	30.2	19.1	14.2	15.0	9.70	6600 (454)	3300 (227)
1/2	1/8	12130-20108-21102-	27.4	22.2	19.1	10.4	7.10	12200 (840)	6200 (427)
1/2	1/4	12130-20108-21104-	27.4	22.2	19.1	15.0	10.40	8300 (571)	4400 (303)
1/2	3/8	12130-20108-21106-	35.8	22.2	19.1	15.0	11.90	5300 (365)	2600 (179)
3/4	1/8	12130-20112-21102-	27.4	27.0	19.1	10.4	7.10	20000 (1378)	10000 (689)
3/4	1/4	12130-20112-21104-	27.4	27.0	19.1	15.0	10.40	12000 (826)	6000 (410)
3/4	3/8	12130-20112-21106-	27.4	27.0	19.1	15.0	12.70	8200 (564)	4300 (296)
3/4	1/2	12130-20112-21108-	41.4	27.0	19.1	19.8	15.70	4900 (337)	2400 (165)
1	1/8	12130-20116-21102-	34.5	34.9	23.9	10.4	7.10	20000 (1378)	10000 (689)
1	1/4	12130-20116-21104-	34.8	34.9	23.9	15.0	10.40	14500 (999)	7400 (509)
1	3/8	12130-20116-21106-	34.8	34.9	23.9	15.0	12.70	11600 (799)	5900 (406)
1	1/2	12130-20116-21108-	34.8	34.9	23.9	19.8	15.70	8600 (592)	4300 (296)
1	3/4	12130-20116-21112-	47.0	34.9	23.9	20.6	22.40	5300 (365)	2600 (179)
1 1/4	3/4	12130-20120-21112-	37.3	44.5	23.9	20.6	22.40	7800 (537)	3900 (268)
1 1/4	1	12130-20120-21116-	37.3	44.5	23.9	25.4	22.40	3500 (241)	1750 (120)
1 1/2	1	12130-20124-21116-	40.1	50.8	26.2	25.4	22.40	6600 (454)	3300 (227)
1 1/2	1 1/4	12130-20124-21120-	56.0	54.0	26.2	25.4	34.00	5000 (344)	2500 (172)

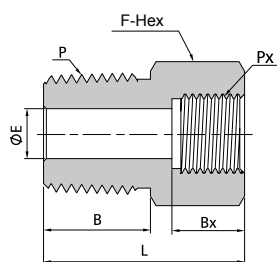


Male NPT Threads				Female ISO Tapered Threads					
P-NPT Size	Px-RT Size	Basic Ordering Number	Dimension,mm					Working Pressure psig(bar)	
			L	F	B	Bx	E	316 SS, Steel	Brass
1/8	1/16	12130-20102-31101-	26.20	11.10	9.70	9.90	4.80	6500 (447)	3200 (220)
1/4	1/16	12130-20104-31101-	21.80	14.3	14.2	9.90	4.80	8000 (551)	4000 (275)
1/4	1/8	12130-20104-31102-	26.90	14.3	14.2	10.4	7.10	6500 (447)	3300 (227)
3/8	1/16	12130-20106-31101-	21.80	17.5	14.2	9.90	4.80	13300 (971)	6600 (454)
3/8	1/8	12130-20106-31102-	21.80	17.5	14.2	10.4	8.60	9200 (633)	4700 (323)
3/8	1/4	12130-20106-31104-	30.20	19.1	14.2	15.0	9.60	6600 (454)	3300 (227)
1/2	1/8	12130-20108-31102-	27.40	22.2	19.1	10.4	8.60	12200 (840)	6200 (427)
1/2	1/4	12130-20108-31104-	27.40	22.2	19.1	15.0	11.4	8300 (571)	4400 (303)
1/2	3/8	12130-20108-31106-	35.80	22.2	19.1	15.0	11.9	5300 (365)	2600 (179)
3/4	1/8	12130-20112-31102-	27.40	27.0	19.1	10.4	7.10	20000(1378)	10000(689)
3/4	1/4	12130-20112-31104-	27.40	27.0	19.1	15.0	11.4	12000 (826)	6000 (410)
3/4	3/8	12130-20112-31106-	27.40	27.0	19.1	15.0	15.0	8200 (564)	4300 (296)
3/4	1/2	12130-20112-31108-	41.40	27.0	19.1	19.8	15.7	4900 (337)	2400 (165)
1	1/8	12130-20116-31102-	34.50	34.9	23.9	10.4	7.10	20000(1378)	10000(689)
1	1/4	12130-20116-31104-	34.80	34.9	23.9	15.0	11.4	14500 (999)	7400 (509)
1	3/8	12130-20116-31106-	34.80	34.9	23.9	15.0	15.0	11600 (799)	5900 (406)
1	1/2	12130-20116-31108-	34.80	34.9	23.9	19.8	18.5	8600 (592)	4300 (296)
1	3/4	12130-20116-31112-	47.00	34.9	23.9	20.6	22.4	5300 (365)	2600 (179)
1 1/4	3/4	12130-20120-31112-	37.30	44.5	23.9	20.6	22.4	7800 (537)	3900 (268)
1 1/4	1	12130-20120-31116-	37.30	44.5	23.9	25.4	22.4	3500 (241)	1750 (120)
1 1/2	1	12130-20124-31116-	40.10	50.8	26.2	25.4	22.4	6600 (454)	3300 (227)
1 1/2	1 1/4	12130-20124-31120-	56.00	54.0	26.2	25.4	34.0	5000 (344)	2500 (172)

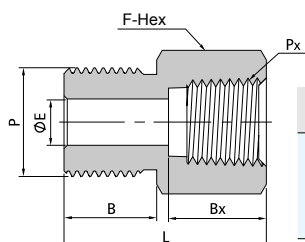
Reducing Bushings



Male ISO Tapered Threads				Female ISO Tapered Threads						
P-NPT Size	Px-RT Size	Basic Ordering Number	Dimension,mm					Working Pressure psig(bar)		
			L	F	B	Bx	E	316 SS, Steel	Brass	
1/4	1/8	12130-30104-31102-	26.9	14.3	14.2	10.4	7.10	6500 (447)	3200 (220)	
3/8	1/4	12130-30106-31104-	30.2	19.1	14.2	15.0	9.60	6600 (454)	3300 (227)	
1/2	1/4	12130-30108-31104-	27.4	22.2	19.1	15.0	11.2	8300 (571)	4400 (303)	
1/2	3/8	12130-30108-31106-	35.8	22.2	19.1	15.0	11.9	5300 (365)	2600 (179)	

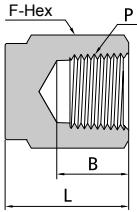


Male NPT Threads				Female ISO Parallel Threads				
P-NPT Size	Px-RG Size	Basic Ordering Number	Dimension,mm					Working Pressure psig(bar)
			L	F	B	Bx	E	316 SS, Steel
3/8	1/4	12130-20106-41104-	30.20	19.10	14.20	12.90	5.60	5700 (392)
1/2	3/8	12130-20108-41106-	35.80	22.20	19.10	14.20	6.60	5700 (392)
3/4	1/2	12130-20112-41108-	41.40	27.00	19.10	18.80	7.10	3900 (268)



Male ISO Parallel Threads				Female NPT Threads					
P-BP Size	Px-NPT Size	Basic Ordering Number	Dimension,mm					Working Pressure psig(bar)	
			L	F	B	Bx	E	316 SS, Steel	Brass
1/4	1/8	12130-40104-21102-	26.90	14.3	12.9	10.4	4.50	6500 (447)	3200 (220)
3/8	1/4	12130-40106-21104-	31.00	19.1	14.2	15	7.10	6600 (454)	3300 (227)
1/2	3/8	12130-40108-21106-	35.80	22.2	18.8	15	6.60	5300 (365)	2600 (179)

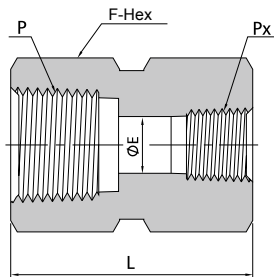
Pipe Caps



Female NPT Threads							
P-NPT Size	Basic Ordering Number	Dimension,mm			Working Pressure psig(bar)		
		L	F	B	316 SS, Steel	Brass	
1/16	12502-21101-	12.70	11.10	9.90	6700 (460)	3300 (227)	
1/8	12502-21102-	19.10	14.30	10.40	6500 (447)	3200 (220)	
1/4	12502-21104-	23.10	19.10	15.00	6600 (454)	3300 (277)	
3/8	12502-21106-	26.20	22.20	15.00	5300 (365)	2600 (179)	
1/2	12502-21108-	34.00	27.00	19.80	4900 (337)	2400 (165)	
3/4	12502-21112-	36.60	33.30	20.60	4600 (316)	2300 (158)	
1	12502-21116-	41.10	41.30	25.40	4400 (303)	2200 (151)	
Heavy-Wall Female NPT Threads							
1/4	12502-21104-H-	28.20	25.40	15.00	10000 (689)	/	
1/2	12502-21108-H-	40.10	38.10	19.80	10000 (689)	/	

Female ISO Tapered Threads							
P-RT Size	Basic Ordering Number	Dimension,mm			Working Pressure psig(bar)		
		L	F	B	316 SS, Steel	Brass	
1/16	12502-31101-	12.70	11.10	9.90	6700 (460)	3300 (227)	
1/8	12502-31102-	19.10	14.30	10.40	6500 (447)	3200 (220)	
1/4	12502-31104-	23.10	19.10	15.00	6600 (454)	3300 (277)	
3/8	12502-31106-	26.20	22.20	15.00	5300 (365)	2600 (179)	
1/2	12502-31108-	34.00	27.00	19.80	4900 (337)	2400 (165)	
3/4	12502-31112-	36.60	33.30	20.60	4600 (316)	2300 (158)	
1	12502-31116-	41.10	41.30	25.40	4400 (303)	2200 (151)	

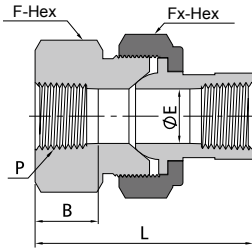
Hex Couplings



Female NPT Threads								
P-NPT Size	Px-NPT Size	Basic Ordering Number	Dimension,mm			Working Pressure psig(bar)		
			L	F	E	316 SS, Steel	Brass	
1/16	1/16	12120-21101-21101-	19.80	11.10	4.80	6700 (460)	3300 (227)	
1/8	1/8	12120-21102-21102-	20.60	14.30	8.60	6500 (447)	3200 (220)	
1/4	1/8	12120-21104-21102-	31.00	19.10	8.60	6600 (454)	3300 (227)	
1/4	1/4	12120-21104-21104-	30.20	19.10	11.40	6600 (454)	3300 (227)	
3/8	1/4	12120-21106-21104-	35.10	22.20	11.40	5300 (365)	2600 (179)	
3/8	3/8	12120-21106-21106-	33.30	22.20	15.00	5300 (365)	2600 (179)	
1/2	1/8	12120-21108-21102-	39.60	27.00	8.60	4900 (337)	2400 (165)	
1/2	1/4	12120-21108-21104-	44.40	27.00	11.40	4900 (337)	2400 (165)	
1/2	3/8	12120-21108-21106-	45.20	27.00	15.00	4900 (337)	2400 (165)	
1/2	1/2	12120-21108-21108-	39.60	27.00	18.50	4900 (337)	2400 (165)	
3/4	1/4	12120-21112-21104-	46.00	33.30	11.40	4600 (316)	2300 (158)	
3/4	1/2	12120-21112-21108-	52.30	33.30	18.50	4600 (316)	2300 (158)	
3/4	3/4	12120-21112-21112-	41.10	33.30	23.90	4600 (316)	2300 (158)	
1	1/2	12120-21116-21108-	55.60	41.30	18.50	4400 (303)	2200 (151)	
1	3/4	12120-21116-21112-	57.20	41.30	23.90	4400 (303)	2200 (151)	
1	1	12120-21116-21116-	50.80	41.30	29.70	4400 (303)	2200 (151)	
Heavy-Wall Female NPT Threads								
1/4	1/4	12120-21104-21104-H-	30.20	25.40	11.40	10000 (689)	/	
1/2	1/2	12120-21108-21108-H-	39.60	38.10	18.50	10000 (689)	/	
1/2	1/4	12120-21108-21104-H-	44.40	38.10	11.40	10000 (689)	/	

Female ISO Tapered Threads								
P-RT Size	Px-RT Size	Basic Ordering Number	Dimension,mm			Working Pressure psig(bar)		
			L	F	E	316 SS, Steel	Brass	
1/8	1/8	12120-31102-31102-	20.60	14.30	8.40	6500 (447)	3200 (220)	
1/4	1/4	12120-31104-31104-	30.20	19.10	11.20	6600 (454)	3300 (227)	
3/8	1/4	12120-31106-31104-	35.10	22.20	11.20	5300 (365)	2600 (179)	
3/8	3/8	12120-31106-31106-	33.30	22.20	14.70	5300 (365)	2600 (179)	
1/2	1/4	12120-31108-31104-	44.40	27.00	11.20	4900 (337)	2400 (165)	
1/2	3/8	12120-31108-31106-	45.20	27.00	14.70	4900 (337)	2400 (165)	
1/2	1/2	12120-31108-31108-	39.60	27.00	18.30	4900 (337)	2400 (165)	

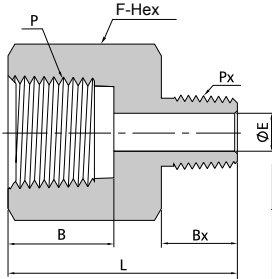
Union Ball Joint



Female NPT Threads		Dimension,mm					Working Pressure psig(bar)	
P-NPT Size	Basic Ordering Number	L	F	Fx	B	E	316 SS, Steel	
		1/8	12140-21102-	46.00	23.80	28.60	10.40	6.80
1/4	12140-21104-	59.40	30.20	34.90	15.00	9.10	6600 (454)	
3/8	12140-21106-	63.50	33.30	38.10	15.00	13.20	5300 (365)	
1/2	12140-21108-	68.30	41.30	44.50	19.80	15.70	6000 (410)	
3/4	12140-21112-	79.20	47.60	54.00	20.60	22.40	4600 (316)	
1	12140-21116-	90.40	60.30	63.50	25.40	26.20	6800 (468)	

Female ISO Tapered Threads		Dimension,mm					Working Pressure psig(bar)	
P-RT Size	Basic Ordering Number	L	F	Fx	B	E	316 SS, Steel	
		1/8	12140-31102-	46.00	23.80	28.60	10.40	6.80
1/4	12140-31104-	59.40	30.20	34.90	15.00	9.10	6600 (454)	
3/8	12140-31106-	63.50	33.30	38.10	15.00	13.20	5300 (365)	
1/2	12140-31108-	68.30	41.30	44.50	19.80	15.70	6000 (410)	
3/4	12140-31112-	79.20	47.60	54.00	20.60	22.40	4600 (316)	
1	12140-31116-	90.40	60.30	63.50	25.40	26.20	6800 (468)	

Adapters

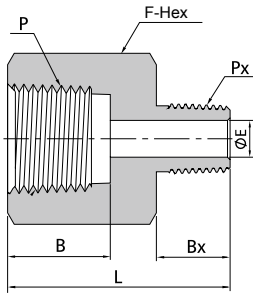


Female NPT Threads		Male NPT Threads							Working Pressure psig(bar)	
P-NPT Size	Px-NPT Size	Basic Ordering Number	Dimension,mm					316 SS, Steel	Brass	
			L	F	Fx	B	E			
1/8	1/16	12121-21102-20101-	27.70	14.30	10.40	9.70	3.00	6500 (447)	3200 (220)	
1/8	1/8	12121-21102-20102-	27.90	14.30	10.40	9.70	4.80	6500 (447)	3200 (220)	
1/4	1/16	12121-21104-20101-	30.50	19.10	15.00	9.70	3.00	6600 (454)	3300 (227)	
1/4	1/8	12121-21104-20102-	32.00	19.10	15.00	9.70	4.80	6600 (454)	3300 (227)	
1/4	1/4	12121-21104-20104-	35.60	19.10	15.00	14.20	7.10	6600 (454)	3300 (227)	
3/8	1/16	12121-21106-20101-	31.80	22.20	15.00	9.70	3.00	5300 (365)	2600 (179)	
3/8	1/8	12121-21106-20102-	33.80	22.20	15.00	9.70	4.80	5300 (365)	2600 (179)	
3/8	1/4	12121-21106-20104-	38.10	22.20	15.00	14.20	7.10	5300 (365)	2600 (179)	
3/8	3/8	12121-21106-20106-	38.40	22.20	15.00	14.20	9.70	5300 (365)	2600 (179)	
1/2	1/8	12121-21108-20101-	40.10	27.00	19.80	9.70	4.80	4900 (337)	2400 (165)	
1/2	1/4	12121-21108-20104-	44.70	27.00	19.80	14.20	7.10	4900 (337)	2400 (165)	
1/2	3/8	12121-21108-20106-	44.40	27.00	19.80	14.20	9.60	4900 (337)	2400 (165)	
1/2	1/2	12121-21108-20108-	49.30	27.00	19.80	19.10	11.90	4900 (337)	2400 (165)	
3/4	1/8	12121-21112-20102-	39.60	33.30	20.60	9.70	4.80	4600 (316)	2300 (158)	
3/4	1/4	12121-21112-20104-	47.00	33.30	20.60	14.20	7.10	4600 (316)	2300 (158)	
3/4	3/8	12121-21112-20106-	46.20	33.30	20.60	14.20	9.70	4600 (316)	2300 (158)	
3/4	1/2	12121-21112-20108-	51.30	33.30	20.60	19.10	11.90	4600 (316)	2300 (158)	
3/4	3/4	12121-21112-20112-	51.30	33.30	20.60	19.10	15.70	4600 (316)	2300 (158)	
1	1/8	12121-21116-20102-	46.00	41.30	25.40	9.70	4.80	4400 (303)	2200 (151)	
1	1/4	12121-21116-20104-	49.80	41.30	25.40	14.20	7.10	4400 (303)	2200 (151)	
1	3/8	12121-21116-20106-	50.80	41.30	25.40	14.20	9.70	4400 (303)	2200 (151)	
1	1/2	12121-21116-20108-	54.90	41.30	25.40	19.10	11.90	4400 (303)	2200 (151)	
1	3/4	12121-21116-20112-	55.10	41.30	25.40	19.10	15.70	4400 (303)	2200 (151)	
1	1	12121-21116-20116-	57.90	41.30	25.40	23.90	22.40	4400 (303)	2200 (151)	
1 1/4	1	12121-21120-20120-	62.70	54.00	25.40	23.90	22.40	5000 (344)	2500 (172)	

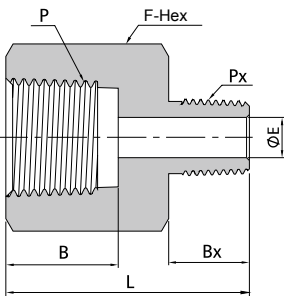
Heavy-Wall Female to male NPT Threads

1/4	1/4	12121-21104-20104-H-	36.30	25.40	15.00	14.20	5.80	10000 (689)	/
1/2	1/2	12121-21108-20108-H-	51.30	38.10	19.80	19.10	9.90	10000 (689)	/
1/2	1/4	12121-21108-20104-H-	46.00	38.10	19.80	14.20	5.80	10000 (689)	/

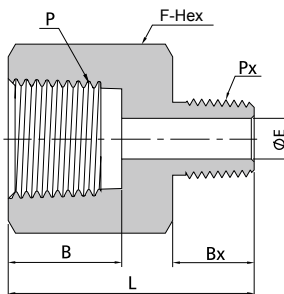
Adapters



Female NPT Threads			Male ISO Tapered Threads							
P-NPT Size	Px-RT Size	Basic Ordering Number	Dimension,mm					Working Pressure psig(bar)		
			L	F	B	Bx	E	316 SS, Steel	Brass	
1/8	1/8	12121-21102-30102-	27.70	14.30	10.40	9.70	4.80	6500 (447)	3200 (220)	
1/4	1/4	12121-21104-30104-	36.10	19.10	15.00	14.20	7.10	6600 (454)	3300 (227)	
3/8	3/8	12121-21106-30106-	38.10	22.20	15.00	14.20	9.70	5300 (365)	2600 (179)	
1/2	1/2	12121-21108-30108-	49.30	27.00	19.80	19.10	11.90	4900 (337)	2400 (165)	
3/4	3/4	12121-21112-30112-	51.30	33.30	20.60	19.10	15.70	4600 (316)	2300 (158)	
1	1	12121-21116-30116-	58.40	41.30	25.40	23.90	22.40	4400 (303)	2200 (151)	

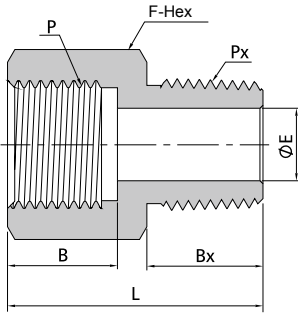


Female ISO Tapered Threads			Male ISO Tapered Threads							
P-RT Size	Px-RT Size	Basic Ordering Number	Dimension,mm					Working Pressure psig(bar)		
			L	F	B	Bx	E	316 SS, Steel	Brass	
1/8	1/8	12121-31102-30102-	27.70	14.30	10.40	9.70	4.80	6500 (447)	3200 (220)	
1/4	1/8	12121-31104-30102-	32.00	19.10	15.00	9.70	4.80	6600 (454)	3300 (227)	
1/4	1/4	12121-31104-30104-	36.10	19.10	15.00	14.20	7.10	6600 (454)	3300 (227)	
3/8	1/4	12121-31106-30104-	38.10	22.20	15.00	14.20	7.10	5300 (365)	2600 (179)	
3/8	3/8	12121-31106-30106-	38.10	22.20	15.00	14.20	9.70	5300 (365)	2600 (179)	
1/2	1/4	12121-31108-30104-	44.70	27.00	19.80	14.20	7.10	4900 (337)	2400 (165)	
1/2	3/8	12121-31108-30106-	44.40	27.00	19.80	14.20	9.70	4900 (337)	2400 (165)	
1/2	1/2	12121-31108-30108-	49.50	27.00	19.80	19.1	11.9	4900 (337)	2400 (165)	
3/4	3/4	12121-31112-30112-	51.30	33.30	20.60	19.1	15.7	4600 (316)	2300 (158)	
1	1	12121-31116-30116-	58.40	41.30	25.40	23.9	22.4	4400 (303)	2200 (151)	



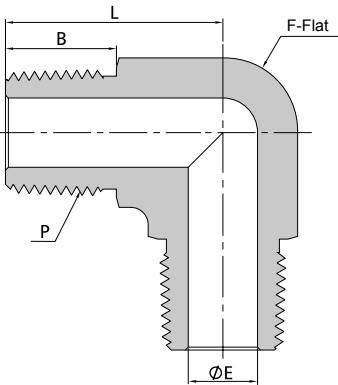
Female ISO Tapered Threads			Male NPT Threads							
P-RT Size	Px-NPT Size	Basic Ordering Number	Dimension,mm					Working Pressure psig(bar)		
			L	F	B	Bx	E	316 SS, Steel	Brass	
1/8	1/8	12121-31102-20102-	27.70	14.30	10.40	9.70	4.80	6500 (447)	3200 (220)	
1/4	1/4	12121-31104-20104-	36.30	19.10	15.00	14.20	7.10	6600 (454)	3300 (227)	
3/8	3/8	12121-31106-20106-	38.40	22.20	15.00	14.20	9.60	5300 (365)	2600 (179)	
1/2	1/2	12121-31108-20108-	49.80	27.00	19.80	19.10	11.90	4900 (337)	2400 (165)	
3/4	3/4	12121-31112-20112-	51.30	33.30	20.60	19.10	15.70	4600 (316)	2300 (158)	
1	1	12121-31116-20116-	58.40	41.30	25.40	23.90	22.40	4400 (303)	2200 (151)	

Adapters



Female ISO Tapered Threads			Male NPT Threads						
P-RG Size	Px-NPT Size	Basic Ordering Number	Dimension,mm					Working Pressure psig(bar)	
			L	F	B	Bx	E	316 SS, Steel	
1/8	1/8	12121-41102-20102-	21.80	14.30	6.50	9.70	4.80	6100 (420)	
1/4	1/4	12121-41104-20104-	30.20	19.10	12.90	14.2	5.60	5700 (392)	
3/8	3/8	12121-41106-20106-	32.20	23.80	14.20	14.2	6.60	5700 (392)	
1/2	1/2	12121-41108-20108-	42.70	27.00	18.8 0	19.10	7.10	3900 (268)	

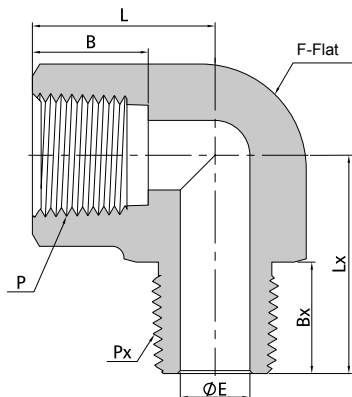
Male Elbows



Male NPT Threads		Dimension,mm				Working Pressure psig(bar)		
P-NPT Size	Basic Ordering Number	L	F	B	E	316 SS, Steel		Brass
		1/16	12200-20101-	18.30	9.50	9.70	3.00	11000 (757)
1/8	12200-20102-	22.4	11.1	9.70	4.80	10000 (689)	5000 (344)	
1/4	12200-20104-	26.7	12.7	14.20	7.10	8000 (551)	4000 (275)	
3/8	12200-20106-	29.7	17.5	14.20	9.60	7800 (537)	3900 (268)	
1/2	12200-20108-	36.8	20.6	19.10	11.90	7700 (530)	3800 (261)	
3/4	12200-20112-	40.4	27.0	19.10	15.70	7300 (502)	3600 (248)	
1	12200-20116-	50.0	34.9	23.90	22.40	5300 (365)	2600 (179)	

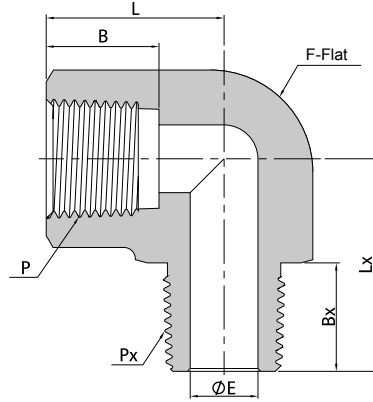
Male ISO Tapered Pipe Threads		Dimension,mm				Working Pressure psig(bar)		
P-RT Size	Basic Ordering Number	L	F	B	E	316 SS, Steel		Brass
		1/16	12200-30101-	18.30	9.50	9.70	3.00	11000 (757)
1/8	12200-30102-	22.4	11.1	9.70	4.80	10000 (689)	5000 (344)	
1/4	12200-30104-	26.7	12.7	14.20	7.10	8000 (551)	4000 (275)	
3/8	12200-30106-	29.7	17.5	14.20	9.60	7800 (537)	3900 (268)	
1/2	12200-30108-	36.8	20.6	19.10	11.90	7700 (530)	3800 (261)	
3/4	12200-30112-	40.4	27.0	19.10	15.70	7300 (502)	3600 (248)	
1	12200-30116-	50.0	34.9	23.90	22.40	5300 (365)	2600 (179)	

Street Elbows



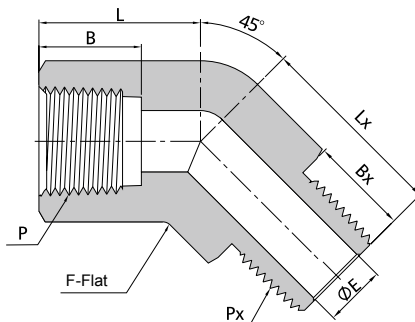
Female NPT Threads			Male NPT Threads								
P-NPT Size	Px-NPT Size	Basic Ordering Number	Dimension,mm						Working Pressure psig(bar)		
			L	F	B	E	Lx	Bx	316 SS, Steel	Brass	
1/16	1/16	12201-21101-20101-	21.80	11.10	9.90	3.00	22.40	9.70	9200 (633)	4600 (316)	
1/16	1/8	12201-21101-20102-	21.80	11.10	9.90	4.80	22.40	9.70	9200 (633)	4600 (316)	
1/16	1/4	12201-21101-20104-	22.40	14.30	9.90	4.80	27.70	14.20	8000 (551)	4000 (275)	
1/16	3/8	12201-21101-20106-	22.40	17.50	9.90	4.80	29.70	14.20	7800 (537)	3900 (268)	
1/8	1/16	12201-21102-20101-	26.40	12.70	10.40	3.00	22.10	9.70	6200 (426)	3100 (213)	
1/8	1/8	12201-21102-20102-	26.40	12.70	10.40	4.80	22.10	9.70	6200 (426)	3100 (213)	
1/8	1/4	12201-21102-20104-	22.40	14.30	10.40	7.10	27.70	14.20	6500 (447)	3200 (220)	
1/8	3/8	12201-21102-20106-	22.40	17.50	10.40	7.10	29.70	14.20	7800 (537)	3900 (268)	
1/8	1/2	12201-21102-20108-	24.10	20.60	10.40	7.10	36.80	19.10	7700 (530)	3800 (261)	
1/8	3/4	12201-21102-20112-	25.40	27.00	10.40	7.10	40.40	19.10	7300 (502)	3600 (248)	
1/8	1	12201-21102-20116-	26.40	34.90	10.40	7.10	50.00	23.90	5300 (365)	2600 (179)	
1/4	1/8	12201-21104-20102-	29.70	17.50	15.00	4.80	25.40	9.70	7200 (496)	3600 (248)	
1/4	1/4	12201-21104-20104-	29.70	17.50	15.00	7.10	29.70	14.20	7200 (496)	3600 (248)	
1/4	3/8	12201-21104-20106-	29.70	17.50	15.00	8.60	29.70	14.20	7200 (496)	3600 (248)	
1/4	1/2	12201-21104-20108-	25.40	20.60	15.00	8.60	36.80	19.10	7200 (496)	3600 (248)	
1/4	3/4	12201-21104-20112-	25.40	27.00	15.00	8.60	40.40	19.10	7300 (502)	3600 (248)	
1/4	1	12201-21104-20116-	41.40	34.90	15.00	8.60	50.00	23.90	5300 (365)	2600 (179)	
3/8	1/4	12201-21106-20104-	36.10	20.60	15.00	7.10	32.00	14.20	5600 (385)	2800 (192)	
3/8	3/8	12201-21106-20106-	36.10	20.60	15.00	9.60	32.00	14.20	5600 (385)	2800 (192)	
3/8	1/2	12201-21106-20108-	36.10	20.60	15.00	11.90	36.80	19.10	5600 (385)	2800 (192)	
3/8	3/4	12201-21106-20112-	31.20	27.00	15.00	11.90	40.40	19.10	7300 (502)	3600 (248)	
3/8	1	12201-21106-20116-	41.40	34.90	15.00	11.90	50.00	23.90	5300 (365)	2600 (179)	
1/2	1/4	12201-21108-20104-	39.60	25.40	19.80	7.10	35.10	14.20	5600 (385)	2800 (192)	
1/2	3/8	12201-21108-20106-	39.60	25.40	19.80	9.60	35.10	14.20	5600 (385)	2800 (192)	
1/2	1/2	12201-21108-20108-	39.60	25.40	19.80	11.90	39.60	19.10	5600 (385)	2800 (192)	
1/2	3/4	12201-21108-20112-	31.20	27.00	19.80	15.70	40.40	19.10	5600 (385)	2800 (192)	
1/2	1	12201-21108-20116-	41.40	34.90	19.80	15.70	50.00	23.90	5300 (365)	2600 (179)	
3/4	3/4	12201-21112-20112-	48.80	31.80	20.60	15.70	42.40	19.10	5100 (351)	2500 (172)	
3/4	1	12201-21112-20116-	41.40	34.90	20.60	22.40	50.00	23.90	5100 (351)	2500 (172)	
1	1	12201-21116-20116-	48.50	42.90	25.40	22.40	49.30	23.90	5300 (365)	2600 (179)	
1 1/4	1 1/4	12201-21120-20120-	60.50	50.80	25.40	31.80	60.50	23.90	3100 (213)	1600 (110)	

Street Elbows



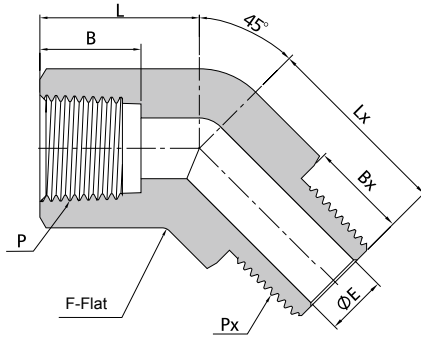
Female ISO Tapered Threads			Male ISO Tapered Threads								
P-RT Size	Px-RT Size	Basic Ordering Number	Dimension,mm						Working Pressure psig(bar)		
			L	F	B	E	Lx	Bx	316 SS, Steel	Brass	
1/16	1/16	12201-31101-30101-	21.80	11.10	9.90	3.00	22.40	9.70	9200 (633)	4600 (316)	
1/16	1/8	12201-31101-30102-	21.80	11.10	9.90	4.80	22.40	9.70	9200 (633)	4600 (316)	
1/16	1/4	12201-31101-30104-	22.40	14.30	9.90	4.80	27.70	14.20	8000 (551)	4000 (275)	
1/16	3/8	12201-31101-30106-	22.40	17.50	9.90	4.80	29.70	14.20	7800 (537)	3900 (268)	
1/8	1/16	12201-31102-30101-	26.40	12.70	10.40	3.00	22.10	9.70	6200 (426)	3100 (213)	
1/8	1/8	12201-31102-30102-	26.40	12.70	10.40	4.80	22.10	9.70	6200 (426)	3100 (213)	
1/8	1/4	12201-31102-30104-	22.40	14.30	10.40	7.10	27.70	14.20	6500 (447)	3200 (220)	
1/8	3/8	12201-31102-30106-	22.40	17.50	10.40	7.10	29.70	14.20	7800 (537)	3900 (268)	
1/8	1/2	12201-31102-30108-	24.10	20.60	10.40	7.10	36.80	19.10	7700 (530)	3800 (261)	
1/8	3/4	12201-31102-30112-	25.40	27.00	10.40	7.10	40.40	19.10	7300 (502)	3600 (248)	
1/8	1	12201-31102-30116-	26.40	34.90	10.40	7.10	50.00	23.90	5300 (365)	2600 (179)	
1/4	1/8	12201-31104-30102-	29.70	17.50	15.00	4.80	25.40	9.70	7200 (496)	3600 (248)	
1/4	1/4	12201-31104-30104-	29.70	17.50	15.00	7.10	29.70	14.20	7200 (496)	3600 (248)	
1/4	3/8	12201-31104-30106-	29.70	17.50	15.00	8.60	29.70	14.20	7200 (496)	3600 (248)	
1/4	1/2	12201-31104-30108-	25.40	20.60	15.00	8.60	36.80	19.10	7200 (496)	3600 (248)	
1/4	3/4	12201-31104-30112-	25.40	27.00	15.00	8.60	40.40	19.10	7300 (502)	3600 (248)	
1/4	1	12201-31104-30116-	41.40	34.90	15.00	8.60	50.00	23.90	5300 (365)	2600 (179)	
3/8	1/4	12201-31106-30104-	36.10	20.60	15.00	7.10	32.00	14.20	5600 (385)	2800 (192)	
3/8	3/8	12201-31106-30106-	36.10	20.60	15.00	9.70	32.00	14.20	5600 (385)	2800 (192)	
3/8	1/2	12201-31106-30108-	36.10	20.60	15.00	11.90	36.80	19.10	5600 (385)	2800 (192)	
3/8	3/4	12201-31106-30112-	31.20	27.00	15.00	11.90	40.40	19.10	7300 (502)	3600 (248)	
3/8	1	12201-31106-30116-	41.40	34.90	15.00	11.90	50.00	23.90	5300 (365)	2600 (179)	
1/2	1/4	12201-31108-30104-	39.60	25.40	19.80	7.10	35.10	14.20	5600 (385)	2800 (192)	
1/2	3/8	12201-31108-30106-	39.60	25.40	19.80	9.70	35.10	14.20	5600 (385)	2800 (192)	
1/2	1/2	12201-31108-30108-	39.60	25.40	19.80	11.90	39.60	19.10	5600 (385)	2800 (192)	
1/2	3/4	12201-31108-30112-	31.20	27.00	19.80	15.70	40.40	19.10	5600 (385)	2800 (192)	
1/2	1	12201-31108-30116-	41.40	34.90	19.80	15.70	50.00	23.90	5300 (365)	2600 (179)	
3/4	3/4	12201-31112-30112-	48.80	31.80	20.60	15.70	42.40	19.10	5100 (351)	2500 (172)	
3/4	1	12201-31112-30116-	41.40	34.90	20.60	22.40	50.00	23.90	5100 (351)	2500 (172)	
1	1	12201-31116-30116-	48.50	42.90	25.40	22.40	49.30	23.90	5300 (365)	2600 (179)	
1 1/4	1 1/4	12201-31120-30120-	60.50	50.80	25.40	31.80	60.50	23.90	3100 (213)	1600 (110)	

45° Street Elbows



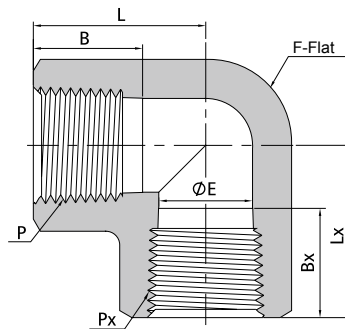
Female NPT Threads			Male NPT Threads								
P-NPT Size	Px-NPT Size	Basic Ordering Number	Dimension,mm						Working Pressure psig(bar)		
			L	F	B	E	Lx	Bx	316 SS, Steel	Brass	
1/16	1/4	12245-21101-20104-	16.80	14.30	9.90	4.80	21.80	14.20	8000 (551)	4000 (275)	
1/16	3/8	12245-21101-20106-	22.40	17.50	9.90	4.80	23.80	14.20	7800 (537)	3900 (268)	
1/8	1/16	12245-21102-20101-	20.20	12.70	10.40	3.00	17.20	9.70	6200 (426)	3100 (213)	
1/8	1/8	12245-21102-20102-	20.20	12.70	10.40	4.80	17.20	9.70	6200 (426)	3100 (213)	
1/8	1/4	12245-21102-20104-	16.80	14.30	10.40	7.10	21.80	14.20	6500 (447)	3200 (220)	
1/8	3/8	12245-21102-20106-	22.40	17.50	10.40	7.10	23.80	14.20	7800 (537)	3900 (268)	
1/8	1/2	12245-21102-20108-	22.20	20.60	10.40	7.10	29.00	19.10	7700 (530)	3800 (261)	
1/8	3/4	12245-21102-20112-	25.40	27.00	10.40	7.10	30.50	19.10	7300 (502)	3600 (248)	
1/8	1	12245-21102-20116-	26.40	34.90	10.40	7.10	49.30	23.90	5300 (365)	2600 (179)	
1/4	1/8	12245-21104-20102-	25.40	17.50	15.00	4.80	19.30	9.70	7200 (496)	3600 (248)	
1/4	1/4	12245-21104-20104-	25.40	17.50	15.00	7.10	19.30	14.20	7200 (496)	3600 (248)	
1/4	3/8	12245-21104-20106-	25.40	17.50	15.00	8.60	23.80	14.20	7200 (496)	3600 (248)	
1/4	1/2	12245-21104-20108-	22.20	20.60	15.00	8.60	29.00	19.10	7200 (496)	3600 (248)	
1/4	3/4	12245-21104-20112-	25.40	27.00	15.00	8.60	30.50	19.10	7300 (502)	3600 (248)	
1/4	1	12245-21104-20116-	32.00	34.90	15.00	8.60	37.60	23.90	5300 (365)	2600 (179)	
3/8	1/4	12245-21106-20104-	27.00	20.60	15.00	7.10	24.20	14.20	5600 (385)	2800 (192)	
3/8	3/8	12245-21106-20106-	27.00	20.60	15.00	9.70	24.20	14.20	5600 (385)	2800 (192)	
3/8	1/2	12245-21106-20108-	27.00	20.60	15.00	11.90	29.00	19.10	5600 (385)	2800 (192)	
3/8	3/4	12245-21106-20112-	27.00	27.00	15.00	11.90	30.50	19.10	7300 (502)	3600 (248)	
3/8	1	12245-21106-20116-	32.00	34.90	15.00	11.90	37.60	23.90	5300 (365)	2600 (179)	
1/2	1/4	12245-21108-20104-	32.00	25.40	19.80	7.10	25.20	14.20	5600 (385)	2800 (192)	
1/2	3/8	12245-21108-20106-	32.00	25.40	19.80	9.70	25.20	14.20	5600 (385)	2800 (192)	
1/2	1/2	12245-21108-20108-	32.00	25.40	19.80	11.90	32.00	19.10	5600 (385)	2800 (192)	
1/2	3/4	12245-21108-20112-	32.50	27.00	19.80	15.70	30.50	19.10	5600 (385)	2800 (192)	
1/2	1	12245-21108-20116-	37.60	34.90	19.80	15.70	37.60	23.90	5300 (365)	2600 (179)	
3/4	3/4	12245-21112-20112-	34.50	31.80	20.60	15.70	34.50	19.10	5100 (351)	2500 (172)	
3/4	1	12245-21112-20116-	37.60	34.90	20.60	22.40	37.60	23.90	5100 (351)	2500 (172)	
1	1	12245-21116-20116-	46.00	42.90	25.40	22.40	46.00	23.90	5300 (365)	2600 (179)	
1 1/4	1 1/4	12245-21120-20120-	50.80	50.80	25.40	31.80	50.80	23.90	3100 (213)	1600 (110)	

45° Street Elbows



Female ISO Tapered Threads			Male ISO Tapered Threads								
P-RT Size	Px-RT Size	Basic Ordering Number	Dimension,mm						Working Pressure psig(bar)		
			L	F	B	E	Lx	Bx	316 SS, Steel	Brass	
1/16	1/16	12245-31101-30101-	16.80	11.10	9.90	3.00	16.80	9.70	9200 (633)	4600 (316)	
1/16	1/8	12245-31101-30102-	16.80	11.10	9.90	4.80	16.80	9.70	9200 (633)	4600 (316)	
1/16	1/4	12245-31101-30104-	16.80	14.30	9.90	4.80	21.80	14.20	8000 (551)	4000 (275)	
1/16	3/8	12245-31101-30106-	22.40	17.50	9.90	4.80	23.80	14.20	7800 (537)	3900 (268)	
1/8	1/16	12245-31102-30101-	20.20	12.70	10.40	3.00	17.20	9.70	6200 (426)	3100 (213)	
1/8	1/8	12245-31102-30102-	20.20	12.70	10.40	4.80	17.20	9.70	6200 (426)	3100 (213)	
1/8	1/4	12245-31102-30104-	16.80	14.30	10.40	7.10	21.80	14.20	6500 (447)	3200 (220)	
1/8	3/8	12245-31102-30106-	22.40	17.50	10.40	7.10	23.80	14.20	7800 (537)	3900 (268)	
1/8	1/2	12245-31102-30108-	22.20	20.60	10.40	7.10	29.00	19.10	7700 (530)	3800 (261)	
1/8	3/4	12245-31102-30112-	25.40	27.00	10.40	7.10	30.50	19.10	7300 (502)	3600 (248)	
1/8	1	12245-31102-30116-	26.40	34.90	10.40	7.10	49.30	23.90	5300 (365)	2600 (179)	
1/4	1/8	12245-31104-30102-	25.40	17.50	15.00	4.80	19.30	9.70	7200 (496)	3600 (248)	
1/4	1/4	12245-31104-30104-	25.40	17.50	15.00	7.10	19.30	14.20	7200 (496)	3600 (248)	
1/4	3/8	12245-31104-30106-	25.40	17.50	15.00	8.60	23.80	14.20	7200 (496)	3600 (248)	
1/4	1/2	12245-31104-30108-	22.20	20.60	15.00	8.60	29.00	19.10	7200 (496)	3600 (248)	
1/4	3/4	12245-31104-30112-	25.40	27.00	15.00	8.60	30.50	19.10	7300 (502)	3600 (248)	
1/4	1	12245-31104-30116-	32.00	34.90	15.00	8.60	37.60	23.90	5300 (365)	2600 (179)	
3/8	1/4	12245-31106-30104-	27.00	20.60	15.00	7.10	24.20	14.20	5600 (385)	2800 (192)	
3/8	3/8	12245-31106-30106-	27.00	20.60	15.00	9.70	24.20	14.20	5600 (385)	2800 (192)	
3/8	1/2	12245-31106-30108-	27.00	20.60	15.00	11.90	29.00	19.10	5600 (385)	2800 (192)	
3/8	3/4	12245-31106-30112-	27.00	27.00	15.00	11.90	30.50	19.10	7300 (502)	3600 (248)	
3/8	1	12245-31106-30116-	32.00	34.90	15.00	11.90	37.60	23.90	5300 (365)	2600 (179)	
1/2	1/4	12245-31108-30104-	32.00	25.40	19.80	7.10	25.20	14.20	5600 (385)	2800 (192)	
1/2	3/8	12245-31108-30106-	32.00	25.40	19.80	9.70	25.20	14.20	5600 (385)	2800 (192)	
1/2	1/2	12245-31108-30108-	32.00	25.40	19.80	11.90	32.00	19.10	5600 (385)	2800 (192)	
1/2	3/4	12245-31108-30112-	32.50	27.00	19.80	15.70	30.50	19.10	5600 (385)	2800 (192)	
1/2	1	12245-31108-30116-	37.60	34.90	19.80	15.70	37.60	23.90	5300 (365)	2600 (179)	
3/4	3/4	12245-31112-30112-	34.50	31.80	20.60	15.70	34.50	19.10	5100 (351)	2500 (172)	
3/4	1	12245-31112-30116-	37.60	34.90	20.60	22.40	37.60	23.90	5100 (351)	2500 (172)	
1	1	12245-31116-30116-	46.00	42.90	25.40	22.40	46.00	23.90	5300 (365)	2600 (179)	
1 1/4	1 1/4	12245-31120-30120-	50.80	50.80	25.40	31.80	50.80	23.90	3100 (213)	1600 (110)	

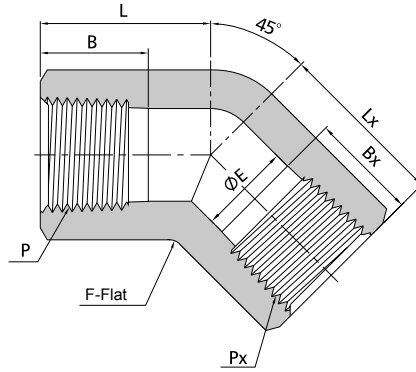
Female Elbows



Female NPT Threads											
P-NPT Size	Px-NPT Size	Basic Ordering Number	Dimension,mm						Working Pressure psig(bar)		
			L	F	B	E	Lx	Bx	316 SS, Steel	Brass	
1/16	1/16	12200-21101-21101-	21.80	11.10	9.90	4.80	21.80	9.90	6700 (460)	3300 (227)	
1/8	1/16	12200-21102-21101-	26.40	12.70	10.40	4.80	26.40	9.90	6200 (427)	3100 (213)	
1/8	1/8	12200-21102-21102-	26.40	12.70	10.40	8.60	26.40	10.40	6200 (427)	3100 (213)	
1/4	1/8	12200-21104-21102-	29.70	17.50	15.00	7.10	29.70	10.40	7200 (496)	3600 (248)	
1/4	1/4	12200-21104-21104-	29.70	17.50	15.00	11.40	29.70	15.00	7200 (496)	3600 (248)	
3/8	3/8	12200-21106-21106-	36.10	20.60	15.00	15.00	36.10	15.00	5600 (385)	2800 (192)	
1/2	1/2	12200-21108-21108-	39.60	25.40	19.80	18.50	39.60	19.80	5600 (385)	2800 (192)	
3/4	3/4	12200-21112-21112-	48.80	31.80	20.60	23.90	48.80	20.60	5100 (351)	2500 (172)	
1	1	12200-21116-21116-	48.50	42.90	25.40	29.70	48.50	25.40	6400 (440)	3200 (220)	
1 1/4	1 1/4	12200-21120-21120-	59.80	50.80	25.40	27.70	50.80	25.40	3100 (213)	1600 (110)	
1 1/2	1 1/2	12200-21124-21124-	65.00	63.50	27.70	34.00	52.80	27.70	5100 (351)	2500 (172)	
Heavy-Wall Female NPT Threads											
1/4	1/4	12200-21104-21104-H-	39.60	25.40	15.00	11.40	29.70	15.00	10000 (689)	/	
1/2	1/2	12200-21108-21108-H-	50.00	42.90	19.80	18.50	39.60	19.80	10000 (689)	/	

Female ISO Tapered Threads											
P-RT Size	Px-RT Size	Basic Ordering Number	Dimension,mm						Working Pressure psig(bar)		
			L	F	B	E	Lx	Bx	316 SS, Steel	Brass	
1/16	1/16	12200-31101-31101-	21.80	11.10	9.90	4.80	21.60	9.90	6700 (460)	3300 (227)	
1/8	1/16	12200-31102-31101-	16.80	12.70	10.40	4.80	16.80	9.90	6200 (427)	3100 (213)	
1/8	1/8	12200-31102-31102-	26.40	12.70	10.40	7.10	26.40	10.40	6200 (427)	3100 (213)	
1/4	1/8	12200-31104-31102-	29.70	17.50	15.00	7.10	29.70	10.40	7200 (496)	3600 (248)	
1/4	1/4	12200-31104-31104-	29.70	17.50	15.00	10.40	29.70	15.00	7200 (496)	3600 (248)	
3/8	3/8	12200-31106-31106-	36.10	20.60	15.00	12.70	36.10	15.00	5600 (385)	2800 (192)	
1/2	1/2	12200-31108-31108-	39.60	25.40	19.80	15.70	39.60	19.80	5600 (385)	2800 (192)	
3/4	3/4	12200-31112-31112-	48.80	31.80	20.60	22.40	48.80	20.60	5100 (351)	2500 (172)	
1	1	12200-31116-31116-	48.50	42.90	25.40	22.40	48.50	25.40	6400 (440)	3200 (220)	
1 1/4	1 1/4	12200-31120-31120-	59.80	50.80	25.40	27.70	50.80	25.40	3100 (213)	1600 (110)	
1 1/2	1 1/2	12200-31124-31124-	65.00	63.50	27.70	34.00	52.80	27.70	5100 (351)	2500 (172)	

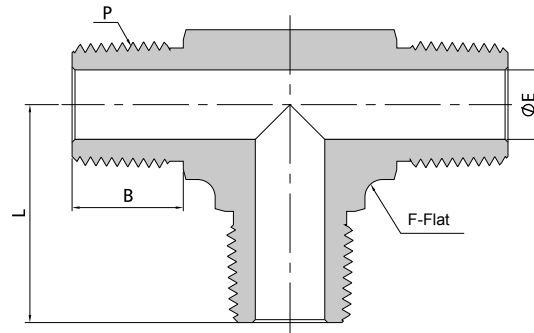
45° Female Elbows



Female NPT Threads											
P-NPT Size	Px-NPT Size	Basic Ordering Number	Dimension,mm						Working Pressure psig(bar)		
			L	F	B	E	Lx	Bx	316 SS, Steel	Brass	
1/16	1/16	12245-21101-21101-	16.80	11.10	9.90	4.80	16.80	9.90	6700 (460)	3300 (227)	
1/8	1/16	12245-21102-21101-	20.20	12.70	10.40	4.80	20.20	9.90	6200 (427)	3100 (213)	
1/8	1/8	12245-21102-21102-	20.20	12.70	10.40	7.10	20.20	10.40	6200 (427)	3100 (213)	
1/4	1/8	12245-21104-21102-	25.40	17.50	15.00	7.10	25.40	10.40	7200 (496)	3600 (248)	
1/4	1/4	12245-21104-21104-	25.40	17.50	15.00	10.40	25.40	15.00	7200 (496)	3600 (248)	
3/8	3/8	12245-21106-21106-	27.00	20.60	15.00	12.70	27.00	15.00	5600 (385)	2800 (192)	
1/2	1/2	12245-21108-21108-	32.00	25.40	19.80	15.70	32.00	19.80	5600 (385)	2800 (192)	
3/4	3/4	12245-21112-21112-	34.50	31.80	20.60	22.40	34.50	20.60	5100 (351)	2500 (172)	
1	1	12245-21116-21116-	46.00	42.90	25.40	22.40	46.00	25.40	6400 (440)	3200 (220)	
1 1/4	1 1/4	12245-21120-21120-	43.20	50.80	25.40	27.70	43.20	25.40	3100 (213)	1600 (110)	
1 1/2	1 1/2	12245-21124-21124-	46.00	63.50	27.70	34.00	46.00	27.70	5100 (351)	2500 (172)	

Female ISO Tapered Threads											
P-RT Size	Px-RT Size	Basic Ordering Number	Dimension,mm						Working Pressure psig(bar)		
			L	F	B	E	Lx	Bx	316 SS, Steel	Brass	
1/16	1/16	12245-31101-31101-	16.80	11.10	9.90	4.80	16.80	9.90	6700 (460)	3300 (227)	
1/8	1/16	12245-31102-31101-	20.20	12.70	10.40	4.80	20.20	9.90	6200 (427)	3100 (213)	
1/8	1/8	12245-31102-31102-	20.20	12.70	10.40	7.10	20.20	10.40	6200 (427)	3100 (213)	
1/4	1/8	12245-31104-31102-	25.40	17.50	15.00	7.10	25.40	10.40	7200 (496)	3600 (248)	
1/4	1/4	12245-31104-31104-	25.40	17.50	15.00	10.40	25.40	15.00	7200 (496)	3600 (248)	
3/8	3/8	12245-31106-31106-	27.00	20.60	15.00	12.70	27.00	15.00	5600 (385)	2800 (192)	
1/2	1/2	12245-31108-31108-	32.00	25.40	19.80	15.70	32.00	19.80	5600 (385)	2800 (192)	
3/4	3/4	12245-31112-31112-	34.50	31.80	20.60	22.40	34.50	20.60	5100 (351)	2500 (172)	
1	1	12245-31116-31116-	46.00	42.90	25.40	22.40	46.00	25.40	6400 (440)	3200 (220)	
1 1/4	1 1/4	12245-31120-31120-	43.20	50.80	25.40	27.70	43.20	25.40	3100 (213)	1600 (110)	
1 1/2	1 1/2	12245-31124-31124-	46.00	63.50	27.70	34.00	46.00	27.70	5100 (351)	2500 (172)	

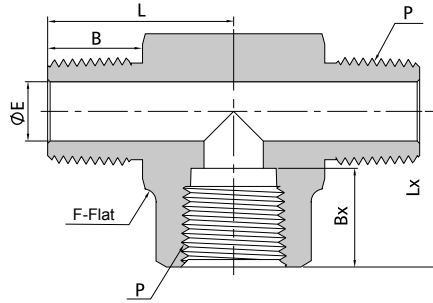
Male Tees



Male NPT Threads								
P-NPT Size	Basic Ordering Number	Dimension,mm				Working Pressure psig(bar)		
		L	F	B	E	316 SS, Steel	Brass	
1/16	12300-20101-	18.30	9.50	9.70	3.00	11000 (757)	5500 (378)	
1/8	12300-20102-	22.40	11.10	9.70	4.80	10000 (689)	5000 (344)	
1/4	12300-20104-	26.70	12.70	14.20	7.10	8000 (551)	4000 (275)	
3/8	12300-20106-	29.70	17.50	14.20	9.60	7800 (537)	3900 (268)	
1/2	12300-20108-	36.80	20.60	19.10	11.90	7700 (530)	3800 (261)	
3/4	12300-20112-	42.40	27.00	19.10	15.70	7300 (502)	3600 (248)	
1	12300-20116-	49.30	34.90	23.90	22.40	5300 (365)	2600 (179)	
1 1/4	12300-20120-	56.40	42.90	23.90	27.70	6000 (410)	3000 (200)	
1 1/2	12300-20124-	67.10	47.60	26.20	34.00	5000 (344)	2500 (172)	

Male ISO Tapered Threads								
P-RT Size	Basic Ordering Number	Dimension,mm				Working Pressure psig(bar)		
		L	F	B	E	316 SS, Steel	Brass	
1/16	12300-30101-	18.30	9.50	9.70	3.00	11000 (757)	5500 (378)	
1/8	12300-30102-	22.40	11.10	9.70	4.80	10000 (689)	5000 (344)	
1/4	12300-30104-	26.70	12.70	14.20	7.10	8000 (551)	4000 (275)	
3/8	12300-30106-	29.70	17.50	14.20	9.60	7800 (537)	3900 (268)	
1/2	12300-30108-	36.80	20.60	19.10	11.90	7700 (530)	3800 (261)	
3/4	12300-30112-	42.40	27.00	19.10	15.70	7300 (502)	3600 (248)	
1	12300-30116-	49.30	34.90	23.90	22.40	5300 (365)	2600 (179)	
1 1/4	12300-30120-	56.40	42.90	23.90	27.70	6000 (410)	3000 (200)	
1 1/2	12300-30124-	67.10	47.60	26.20	34.00	5000 (344)	2500 (172)	

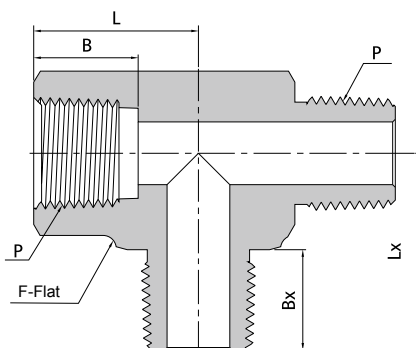
Female Branch Tees



NPT Threads										
P-NPT Size	Basic Ordering Number	Dimension, mm						Working Pressure psig (bar)		
		L	F	E	B	Lx	Bx	316 SS, Steel	Brass	
1/16	12302-21101-	18.30	11.10	3.00	9.70	21.80	9.90	9200 (633)	4600 (316)	
1/8	12302-21102-	22.10	12.70	4.80	9.70	26.40	10.40	6200 (427)	3100 (213)	
1/4	12302-21104-	29.70	17.50	7.10	14.20	29.70	15.00	7200 (496)	3600 (248)	
3/8	12302-21106-	32.00	20.60	9.70	14.20	36.10	15.00	5600 (385)	2800 (192)	
1/2	12302-21108-	39.60	25.40	11.90	19.10	39.60	19.80	5600 (385)	2800 (192)	
3/4	12302-21112-	42.40	31.80	15.70	19.10	48.80	20.60	5100 (351)	2500 (172)	
1	12302-21116-	49.30	42.90	22.40	23.90	48.50	25.40	5300 (365)	2600 (179)	

ISO Tapered Pipe Threads										
P-RT Size	Basic Ordering Number	Dimension, mm						Working Pressure psig (bar)		
		L	F	E	B	Lx	Bx	316 SS, Steel	Brass	
1/16	12302-31101-	18.30	11.10	3.00	9.70	21.80	9.90	9200 (633)	4600 (316)	
1/8	12302-31102-	22.10	12.70	4.80	9.70	26.40	10.40	6200 (427)	3100 (213)	
1/4	12302-31104-	29.70	17.50	7.10	14.20	29.70	15.00	7200 (496)	3600 (248)	
3/8	12302-31106-	32.00	20.60	9.70	14.20	36.10	15.00	5600 (385)	2800 (192)	
1/2	12302-31108-	39.60	25.40	11.90	19.10	39.60	19.80	5600 (385)	2800 (192)	
3/4	12302-31112-	42.40	31.80	15.70	19.10	48.80	20.60	5100 (351)	2500 (172)	
1	12302-31116-	49.30	42.90	22.40	23.90	48.50	25.40	5300 (365)	2600 (179)	

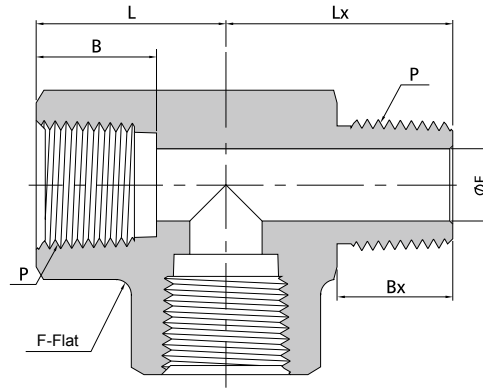
Female Run Tees



NPT Threads		Dimension, mm						Working Pressure psig (bar)	
P-NPT Size	Basic Ordering Number	L	F	E	B	Lx	Bx	316 SS, Steel	Brass
		1/16	12304-21101-	21.80	11.10	3.00	9.9	18.3	9.70
1/8	12304-21102-	26.40	12.70	4.8	10.4	22.1	9.70	6200 (427)	3100 (213)
1/4	12304-21104-	29.70	17.50	7.1	15.0	29.7	14.2	7200 (496)	3600 (248)
3/8	12304-21106-	36.10	20.60	9.7	15.0	32.0	14.2	5600 (385)	2800 (192)
1/2	12304-21108-	39.60	25.4	11.9	19.8	39.6	19.1	5600 (385)	2800 (192)
3/4	12304-21112-	48.80	31.8	15.7	20.6	42.4	19.1	5100 (351)	2500 (172)
1	12304-21116-	48.50	42.9	22.4	25.4	49.3	23.9	5300 (365)	2600 (179)

ISO Tapered Threads		Dimension, mm						Working Pressure psig (bar)	
P-RT Size	Basic Ordering Number	L	F	E	B	Lx	Bx	316 SS, Steel	Brass
		1/16	12304-31101-	21.80	11.10	3.00	9.9	18.3	9.70
1/8	12304-31102-	26.40	12.70	4.8	10.4	22.1	9.70	6200 (427)	3100 (213)
1/4	12304-31104-	29.70	17.50	7.1	15.0	29.7	14.2	7200 (496)	3600 (248)
3/8	12304-31106-	36.10	20.60	9.7	15.0	32.0	14.2	5600 (385)	2800 (192)
1/2	12304-31108-	39.60	25.4	11.9	19.8	39.6	19.1	5600 (385)	2800 (192)
3/4	12304-31112-	48.80	31.8	15.7	20.6	42.4	19.1	5100 (351)	2500 (172)
1	12304-31116-	48.50	42.9	22.4	25.4	49.3	23.9	5300 (365)	2600 (179)

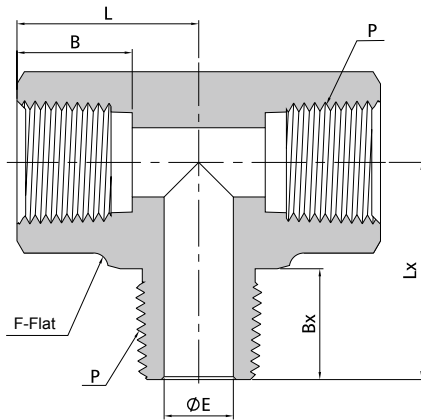
Male Street Tees



NPT Threads									
P-NPT Size	Basic Ordering Number	Dimension, mm						Working Pressure psig (bar)	
		L	F	E	B	Lx	Bx	316 SS, Steel	Brass
1/16	12303-20101-	21.80	11.10	3.00	9.90	18.30	9.70	9200 (633)	4600 (316)
1/8	12303-20102-	26.40	12.70	4.80	10.40	22.10	9.70	6200 (427)	3100 (213)
1/4	12303-20104-	29.70	17.50	7.10	15.00	29.70	14.20	7200 (496)	3600 (248)
3/8	12303-20106-	36.10	20.60	9.60	15.00	32.00	14.20	5600 (385)	2800 (192)
1/2	12303-20108-	39.60	25.40	11.90	19.80	39.60	19.10	5600 (385)	2800 (192)
3/4	12303-20112-	48.80	31.80	15.70	20.60	42.40	19.10	5100 (351)	2500 (172)
1	12303-20116-	48.50	42.90	22.40	25.40	49.30	23.90	5300 (365)	2600 (179)

ISO Tapered Pipe Threads									
P-RT Size	Basic Ordering Number	Dimension, mm						Working Pressure psig (bar)	
		L	F	E	B	Lx	Bx	316 SS, Steel	Brass
1/16	12303-30101-	21.80	11.10	3.00	9.90	18.30	9.70	9200 (633)	4600 (316)
1/8	12303-30102-	26.40	12.70	4.80	10.40	22.10	9.70	6200 (427)	3100 (213)
1/4	12303-30104-	29.70	17.50	7.10	15.00	29.70	14.20	7200 (496)	3600 (248)
3/8	12303-30106-	36.10	20.60	9.60	15.00	32.00	14.20	5600 (385)	2800 (192)
1/2	12303-30108-	39.60	25.40	11.90	19.80	39.60	19.10	5600 (385)	2800 (192)
3/4	12303-30112-	48.80	31.80	15.70	20.60	42.40	19.10	5100 (351)	2500 (172)
1	12303-30116-	48.50	42.90	22.40	25.40	49.30	23.90	5300 (365)	2600 (179)

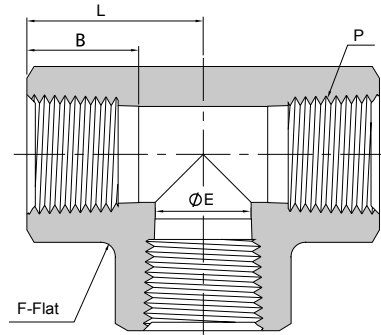
Male Branch Tees



NPT Threads		Dimension,mm						Working Pressure psig(bar)	
P-NPT Size	Basic Ordering Number	L	F	E	B	Lx	Bx	316 SS, Steel	Brass
		1/16	12301-20101-	21.80	11.10	3.00	9.90	18.30	9.70
1/8	12301-20102-	26.40	12.70	4.80	10.40	22.10	9.70	6200 (427)	3100 (213)
1/4	12301-20104-	29.70	17.50	7.10	15.00	29.70	14.20	7200 (496)	3600 (248)
3/8	12301-20106-	36.10	20.60	9.60	15.00	32.00	14.20	5600 (385)	2800 (192)
1/2	12301-20108-	39.60	25.40	11.90	19.80	39.60	19.10	5600 (385)	2800 (192)
3/4	12301-20112-	48.80	31.80	15.70	20.60	42.40	19.10	5100 (351)	2500 (172)
1	12301-20116-	48.50	42.90	22.40	25.40	49.30	23.90	5300 (365)	2600 (179)

Male and Female ISO Tapered Pipe Threads		Dimension,mm						Working Pressure psig(bar)	
P-RT Size	Basic Ordering Number	L	F	E	B	Lx	Bx	316 SS, Steel	Brass
		1/16	12301-30101-	21.80	11.10	3.00	9.90	18.30	9.70
1/8	12301-30102-	26.40	12.70	4.80	10.40	22.10	9.70	6200 (427)	3100 (213)
1/4	12301-30104-	29.70	17.50	7.10	15.00	29.70	14.20	7200 (496)	3600 (248)
3/8	12301-30106-	36.10	20.60	9.60	15.00	32.00	14.20	5600 (385)	2800 (192)
1/2	12301-30108-	39.60	25.40	11.90	19.80	39.60	19.10	5600 (385)	2800 (192)
3/4	12301-30112-	48.80	31.80	15.70	20.60	42.40	19.10	5100 (351)	2500 (172)
1	12301-30116-	48.50	42.90	22.40	25.40	49.30	23.90	5300 (365)	2600 (179)

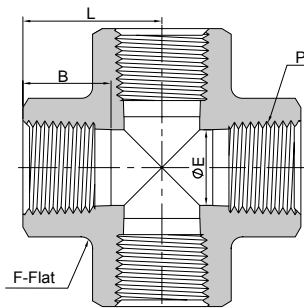
Female Tees



Female NPT Threads							
P-NPT Size	Basic Ordering Number	Dimension,mm				Working Pressure psig(bar)	
		L	F	E	B	316 SS, Steel	Brass
1/16	12300-21101-	21.80	11.10	4.80	9.90	6700(460)	3300(227)
1/8	12300-21102-	26.40	12.70	8.60	10.40	6200 (427)	3100 (213)
1/4	12300-21104-	29.70	17.50	11.40	15.00	7200 (496)	3600 (248)
3/8	12300-21106-	36.10	20.60	15.00	15.00	5600 (385)	2800 (192)
1/2	12300-21108-	39.60	25.40	18.50	19.80	5600 (385)	2800 (192)
3/4	12300-21112-	48.80	31.80	23.90	20.60	5100 (351)	2500 (172)
1	12300-21116-	48.50	42.90	29.70	25.40	6400 (440)	3200 (220)
1 1/4	12300-21120-	59.80	50.80	37.20	25.40	3100 (213)	1600 (110)
1 1/2	12300-21124-	65.00	63.50	43.30	27.70	5100 (351)	2500 (172)
Heavy-Wall Female NPT Threads							
1/4	12300-21104-H-	39.60	25.40	11.40	15.00	10000 (689)	/
1/2	12300-21108-H-	50.00	27.00	18.50	19.80	10000 (689)	/

Female ISO Tapered Pipe Threads							
P-RT Size	Basic Ordering Number	Dimension,mm				Working Pressure psig(bar)	
		L	F	E	B	316 SS, Steel	Brass
1/16	12300-31101-	21.80	11.10	4.80	9.90	6700(460)	3300(227)
1/8	12300-31102-	26.40	12.70	8.60	10.40	6200 (427)	3100 (213)
1/4	12300-31104-	29.70	17.50	11.40	15.00	7200 (496)	3600 (248)
3/8	12300-31106-	36.10	20.60	15.00	15.00	5600 (385)	2800 (192)
1/2	12300-31108-	39.60	25.40	18.50	19.80	5600 (385)	2800 (192)
3/4	12300-31112-	48.80	31.80	23.90	20.60	5100 (351)	2500 (172)
1	12300-31116-	48.50	42.90	29.70	25.40	6400 (440)	3200 (220)
1 1/4	12300-31120-	59.80	50.80	37.20	25.40	3100 (213)	1600 (110)
1 1/2	12300-31124-	65.00	63.50	43.30	27.70	5100 (351)	2500 (172)

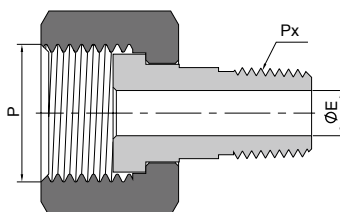
Female Crosses



Female NPT Threads							
P-NPT Size	Basic Ordering Number	Dimension,mm				Working Pressure psig(bar)	
		L	F	E	B	316 SS, Steel	Brass
1/16	12400-21101-	21.80	11.10	4.80	9.90	6700 (460)	3300 (227)
1/8	12400-21102-	26.40	12.70	8.60	10.40	6200 (427)	3100 (213)
1/4	12400-21104-	29.70	17.50	11.40	15.00	7200 (496)	3600 (248)
3/8	12400-21106-	36.10	20.60	15.00	15.00	5600 (385)	2800 (192)
1/2	12400-21108-	39.60	25.40	18.50	19.80	5600 (385)	2800 (192)
3/4	12400-21112-	48.80	31.80	23.90	20.60	5100 (351)	2500 (172)
1	12400-21116-	48.50	42.90	29.70	25.40	6400 (440)	3200 (220)

Female ISO Tapered Threads							
P-RT Size	Basic Ordering Number	Dimension,mm				Working Pressure psig(bar)	
		L	F	E	B	316 SS, Steel	Brass
1/16	1240031101-	21.80	11.10	4.80	9.90	6700 (460)	3300 (227)
1/8	1240031102-	26.40	12.70	8.60	10.40	6200 (427)	3100 (213)
1/4	1240031104-	29.70	17.50	11.40	15.00	7200 (496)	3600 (248)
3/8	1240031106-	36.10	20.60	15.00	15.00	5600 (385)	2800 (192)
1/2	1240031108-	39.60	25.40	18.50	19.80	5600 (385)	2800 (192)
3/4	1240031112-	48.80	31.80	23.90	20.60	5100 (351)	2500 (172)
1	1240031116-	48.50	42.90	29.70	25.40	6400 (440)	3200 (220)

Pipe to Pipe Unions



Metric Thread			NPT Threads	
P-Metric Thread Size	Px-NPT Size	Basic Ordering Number	Dimension,mm E	Working Pressure psig(bar)
M20 x 1.5	1/8	12503-51520-20102-	4.80	4500 (310)
M20 x 1.5	1/4	12503-51520-20104-	7.10	4500 (310)

Metric Thread			ISO Tapered Pipe Threads	
P-Metric Thread Size	Px-RT Size	Basic Ordering Number	Dimension,mm E	Working Pressure psig(bar)
M20 x 1.5	1/8	12503-51520-30102-	4.80	4500 (310)
M20 x 1.5	1/4	12503-51520-30104-	7.10	4500 (310)

ISO Parallel Thread			NPT Threads	
P-ISO Pipe Size	Px-NPT Size	Basic Ordering Number	Dimension,mm E	Working Pressure psig(bar)
1/2	1/8	12503-41108-20102-	4.80	4500 (310)
1/2	1/4	12503-41108-20104-	7.10	4500 (310)